

### Universal Flat Screen Wall Mount with Tilt For Extra Large Screens

For more information please visit [www.btechavmounts.com/BT8432](http://www.btechavmounts.com/BT8432)

**BT8432**

Registered Design Number: 001713280-0036



**MAXIMUM FIXING DIMENSIONS**  
 HORIZONTAL: 825mm (32.5")  
 VERTICAL: 500mm (19.7")

## BT8432 Universal Flat Screen Wall Mount with Tilt

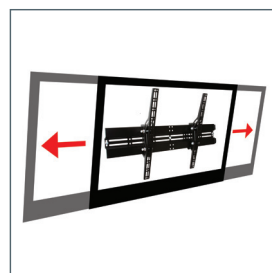
**Designed for extra large screens up to 65" (165cm) / 70kg (154lbs)\***

- Fits screens with mounting patterns up to H: 825mm (32.5") x V: 500mm (19.7") including VESA® fixings up to 800 x 500mm
- Simple tilt adjustment +/-15°
- Mounts screen only 80mm (3.1") from wall
- Unique 'Torsion Tilt' mechanism (*patent pending*)
- Locking bars included for secure installation
- Features 'OWLS™' On Wall Levelling System
- Suitable for concrete / brick or up to 32" stud walls
- Security locking screws, Allen key and locking bar provided for secure installation
- Simple 'hook-on' installation with all mounting hardware included
- Available in Black

\*35kg when pole mounted



Unique 'Torsion Tilt' mechanism  
(Patent Pending)



Post installation screen alignment



Security locking bar  
(Padlock not included)



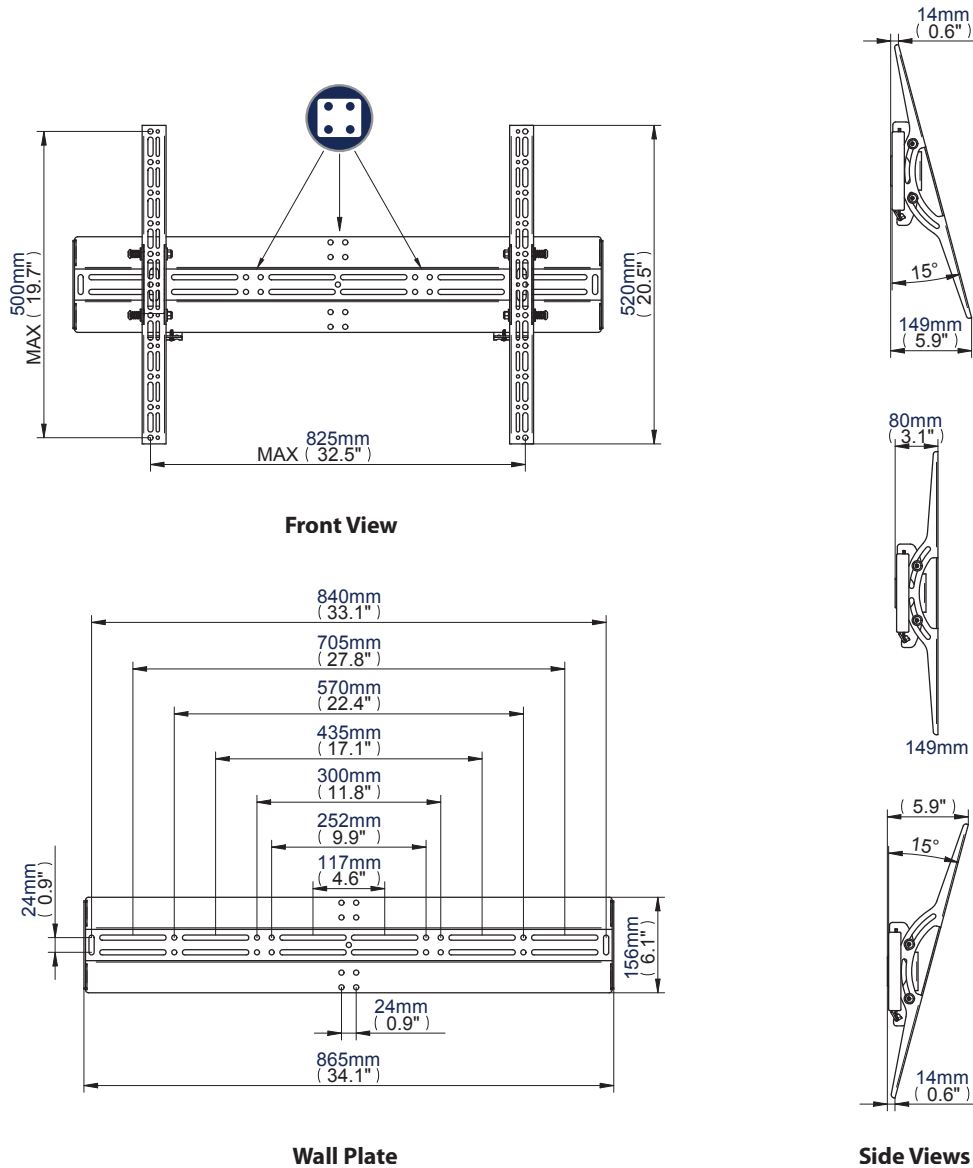
Comprehensive screen mounting kit

# Universal Flat Screen Wall Mount with Tilt For Extra Large Screens

For more information please visit [www.btechavmounts.com/BT8432](http://www.btechavmounts.com/BT8432)

**BT8432**

Registered Design Number: 001713280-0036



Colour:	Order Ref:	EAN Code:	Master Carton Qty:	Inner Carton Qty:	Master Carton Weight:	Master Carton Cube:
Black	BT8432/B	5019318084294	2	0	13.1kg (28.82lbs)	0.046cbm (1.63cuft)

**This information is intended as a guide only and reflects the current specification at the time of print.  
B-Tech accepts no liability for the accuracy of the information contained in this document.**