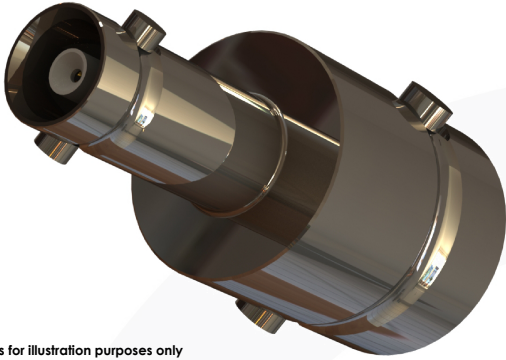
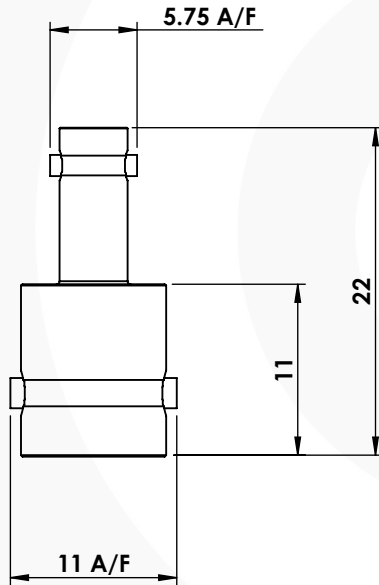


MICRO BNC JACK TO BNC JACK STRAIGHT ADAPTOR 74-1067-500



images for illustration purposes only



Environmental Specification

Operating Temp: -55 to +155 Deg C.
IP Rating (Mated): IP64

Electrical Specification Mechanical Specification

Impedance: 75 Ohm Contact Retention: 10 N min
Frequency: 0-12.0 GHz Cable Retention: N/A
Dielectric W/V: 1500 Veff Mating cycles: 250
Insulation res: 5000 M-Ohm Weight: 3.53 g

Connector Interface

image for illustration purposes only



3	INSULATOR	PTFE	N/A
2	CENTRE CONTACT	BERYLLIUM COPPER	GOLD
1	BODY	BRASS	NICKEL
ITEM	DESCRIPTION	MATERIAL	PLATING

A4	SHEET 1 OF 1	DIMENSIONS ARE IN MILLIMETRES		
REVISION :	A00	NAME	SIGNATURE	DATE
ISSUE :	0	DRAWN	IG	02/08/2016
		CHK'D	GE	03/08/2016
		APPV'D		
<p>6-8 COLNE ROAD, TWICKENHAM, MIDDLESEX. TW1 4JR</p> <p>THE INFORMATION IS GIVEN AS AN INDICATION ONLY AND IS SUBJECT TO CHANGE WITHOUT NOTICE. IN THE CONTINUAL GOAL TO IMPROVE OUR PRODUCTS, WE RESERVE THE RIGHT TO MAKE ANY MODIFICATIONS NECESSARY WITHOUT PRIOR NOTICE.</p>				