

49-394 - CANFORD SPEAKON LOUDSPEAKER SPLITTER



Hexagonal black ABS plastic moulded box fitted with three Neutrix 'Speakon' NL4 connectors. Connectors have all 4 terminals wired in parallel capable of handling up to 30 Amps.

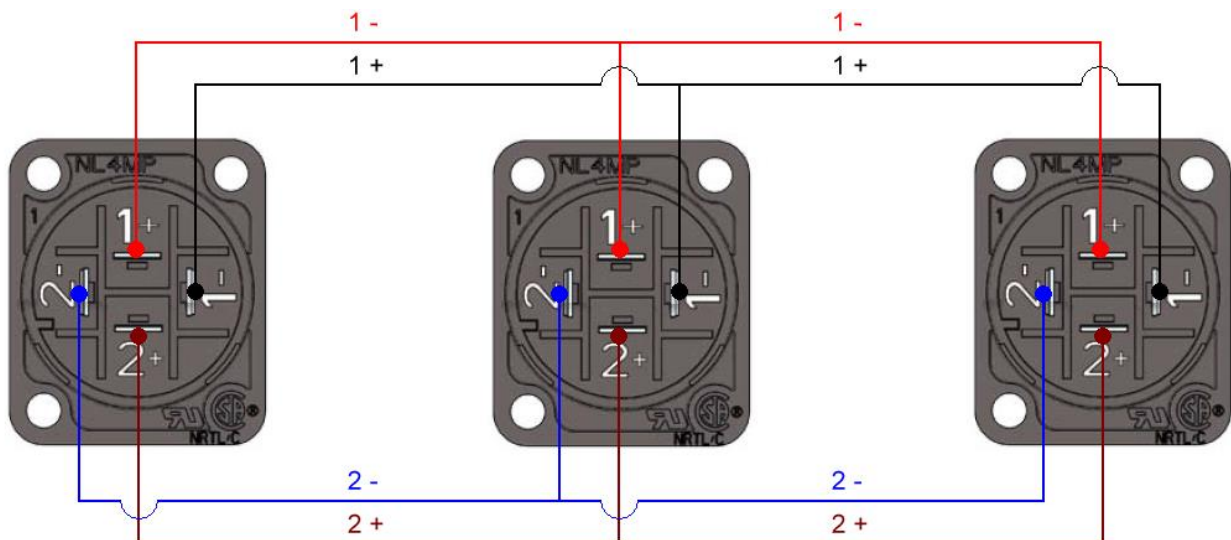
Suitable for use with a wide variety of loudspeaker systems including 100/70V Line high impedance applications as well as full range and bi-amped low impedance systems. See example application diagrams below.

The box is water resistant to IP55, so is suitable for outdoor use.

The box is 80mm across the flats and is some 36mm deep.

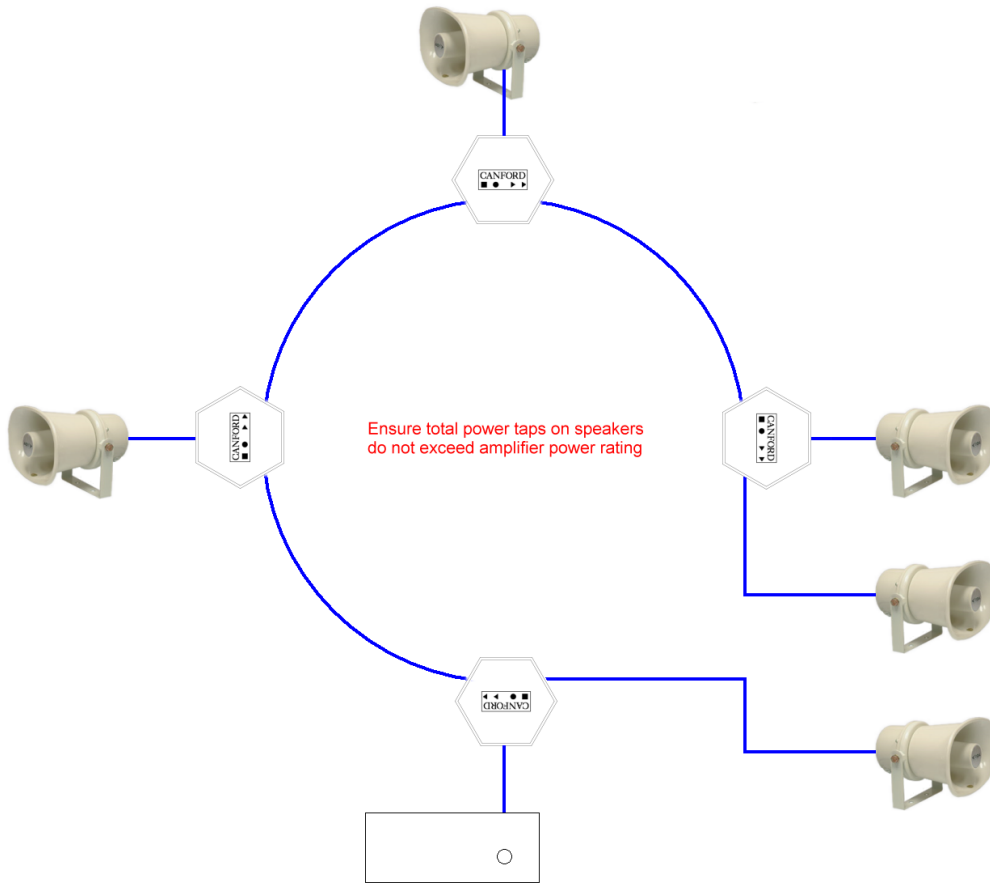
Manufactured by Canford. UK patent 2253537.

Internal Wiring:

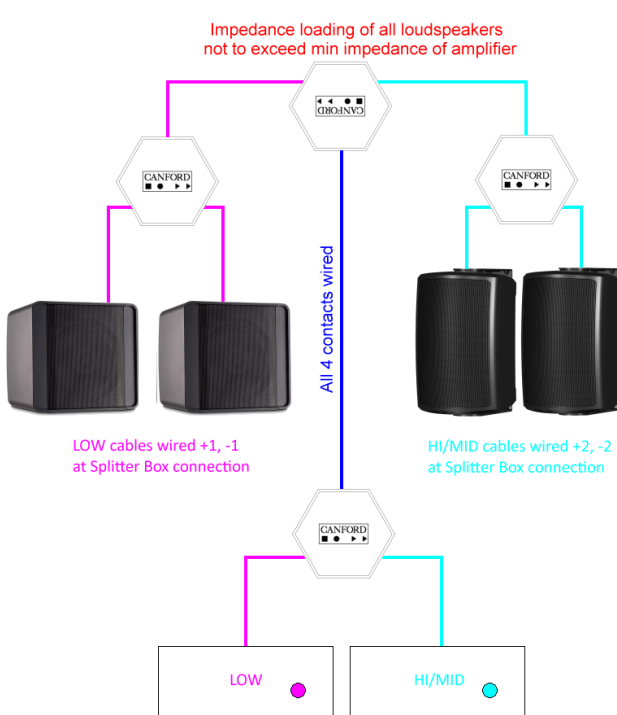


49-394 - CANFORD SPEAKON LOUDSPEAKER SPLITTER

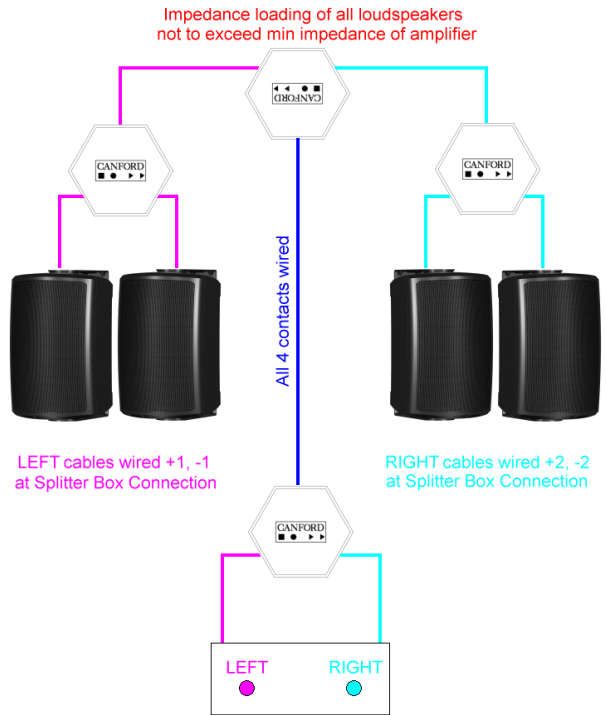
Example application diagrams:



100/70V Line Simple Split Application



Low Impedance Bi-Amp Application



Low Impedance Stereo Application