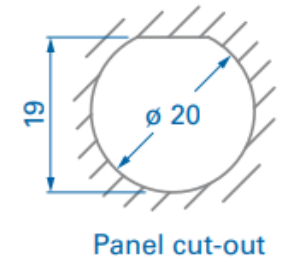
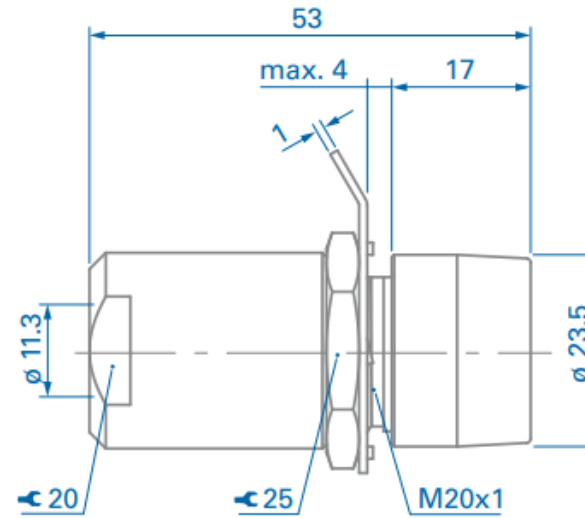
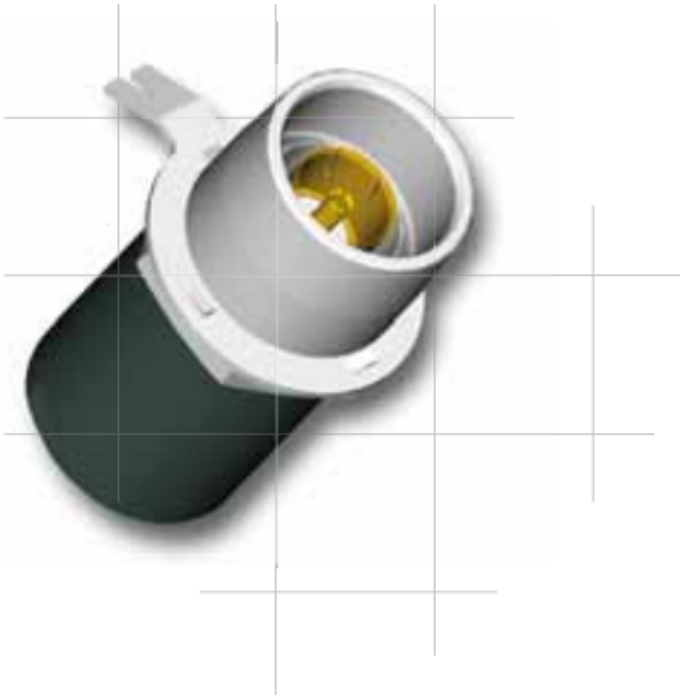


■ *For  $\varnothing 11.3$  mm cables, with cable guide*



<b>Receptacle part number</b>
<b>DB 1051 A004-3 1.4/6.6</b>

25mm A/F spanner for the hex nut that secures the connector to the panel.  
20mm A/F spanner for the back cable cover.

Conductor and screens soldered.