

# Installation Speaker

# WS-15T/30T/50T/80T



▶ WS-15T ▶ WS-30T ▶ WS-50T ▶ WS-80T

## FEATURES

- High-quality Trans for Low/High
- Water and damp-proof of IP54
- Designed to Minimize Sound Distortion
- Consolidated Transmission of Low-pitched Sound
- Aesthetic Design
- Ease of Installation
- EASE, EASE Focus Data

## SPECIFICATIONS

		WS-15T	WS-30T	WS-50T	WS-80T
TYPE		1 way full range	2 way passive	2 way passive	2 way passive
FREQUENCY RANGE (-10dB)		110Hz-20kHz	100Hz-20kHz	100Hz-20kHz	100Hz-20kHz
SENSITIVITY(1m/1W)		84dB	85dB	87dB	90dB
COMPONENT	LF	2.5" full range	4"	5"	6.5"
	HF		VC 13mm	VC 13mm	VC 13mm
POWER HANDLING	CONT	15W(RMS)	30W(RMS)	50W(RMS)	80W(RMS)
	LOW	8Ω	8Ω	8Ω	8Ω
NOMINAL IMPEDANCE	HI	100V	30/15/7.5/3.8/1.9(W)_154.1Ω/ 313.4Ω / 626.4Ω/1.25kΩ/2.47kΩ/4.95kΩ	50/25/13/6.5/3.3(W)_92.6Ω/ 189.6Ω/376.6Ω/720.7Ω/1.43kΩ/2.81kΩ	80/40/20/10/5(W)_59.4Ω/ 120.9Ω/239.8Ω/478Ω/956.1Ω/1.9KΩ
	70V	15/8/4/2(W)_315.7Ω/ 643.4Ω/1KΩ/1.9KΩ/3.1KΩ			
CONNECTORS		Screw terminal 2P			
ENCLOSURE MATERIAL		ABS RESIN			
WEIGHT		0.89kg/1.96lb	1.7kg/3.74lb	2.4kg/5.29lb	3.6kg/7.49lb
DIMENSIONS(W x H x D)		92x120x114(mm) / 3.6x4.7x4.5(in)	139x210x129(mm) / 5.5x8.3x5.1(in)	173x250x150(mm) / 6.8x9.8x5.9(in)	210x311x169(mm) / 8.3x12.2x6.7(in)

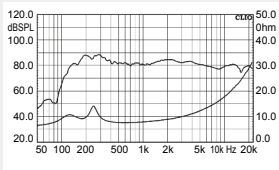
\* Design and specification are subject to be changed for the improvement of product quality without pre notice.

\* The initial state of the product is set to "2W(WS-15T)/1.9W(WS-30T)/3.3W(WS-50T)/5W(WS-80T)".

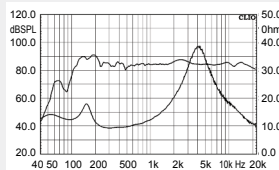
\* **When using high impedance, do not convert to 8Ω . It may cause an outbreak of fire due to overvoltage pressure.**

## PERFORMANCE CURVE

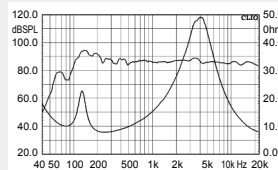
▶ WS-15T



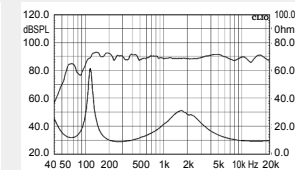
▶ WS-30T



▶ WS-50T

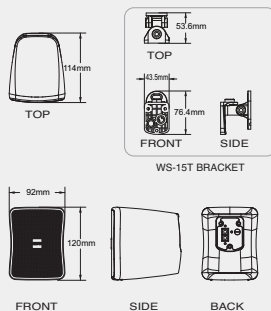


▶ WS-80T

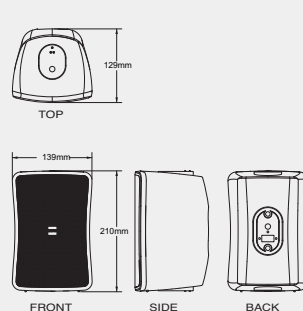


## DIMENSIONAL

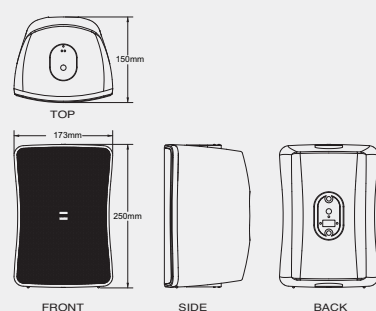
▶ WS-15T



▶ WS-30T



▶ WS-50T

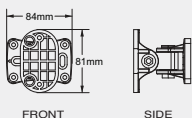
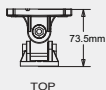
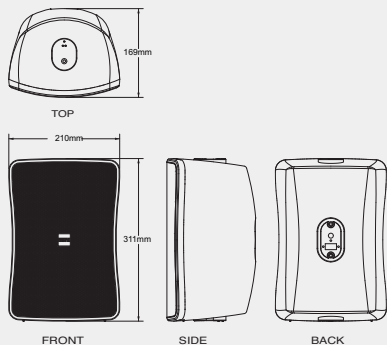


# WS-15T/30T/50T/80T



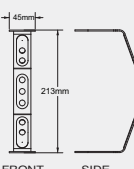
## DIMENSIONAL

### ▶ WS-80T

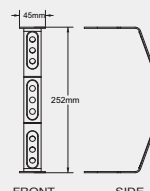


KNUCKLE BRACKET  
(WS-30T/WS-50T/WS-80T)

### ▶ WS-30T

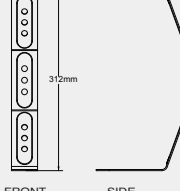


### ▶ WS-50T



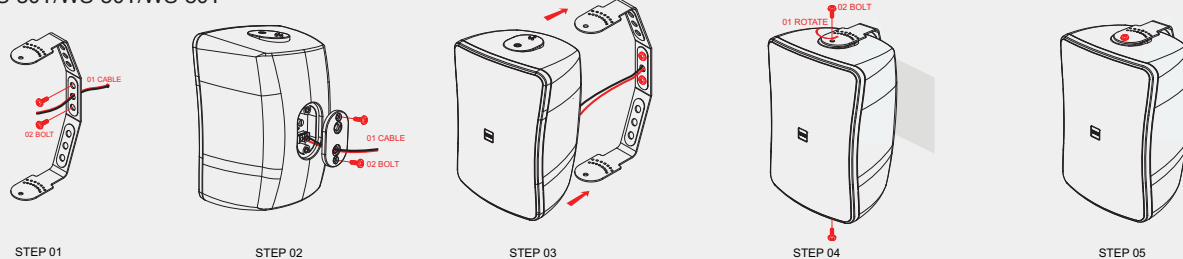
U-BRACKET

### ▶ WS-80T



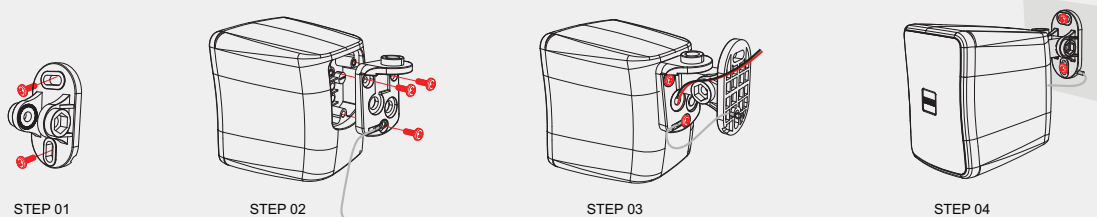
## U-BRACKET INSTALLATION

### ▶ WS-30T/WS-50T/WS-80T

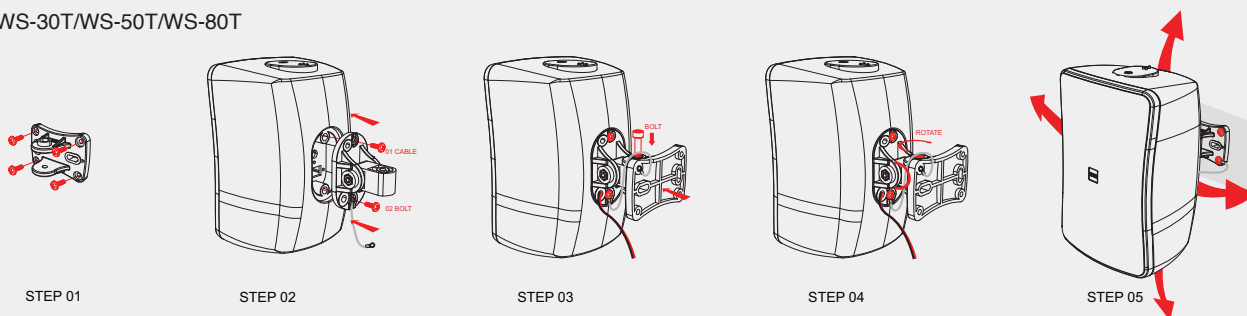


## KNUCKLE BRACKET INSTALLATION

### ▶ WS-15T



### ▶ WS-30T/WS-50T/WS-80T



\* When you install outdoor, Please install by inserting the waterproof back-gasket.

### Inter-M Corporation

- Office : 719, DOBONG-RO, DOBONG-GU, SEOUL, KOREA  
 - Tel : +82-2-2289-8140~8, Fax : +82-2-2289-8149  
 - Home page: <http://www.inter-m.com>, E-mail: [overseas@inter-m.com](mailto:overseas@inter-m.com)

### Inter-M Corp. (IMA)

- Office : 5666 CORPORATE AVE. CYPRESS, CA 90630  
 - Tel : +1-714-828-2200, Fax : +1-714-828-2210  
 - E-mail : [info@inter-m.net](mailto:info@inter-m.net), Home Page : [www.inter-m.net](http://www.inter-m.net)