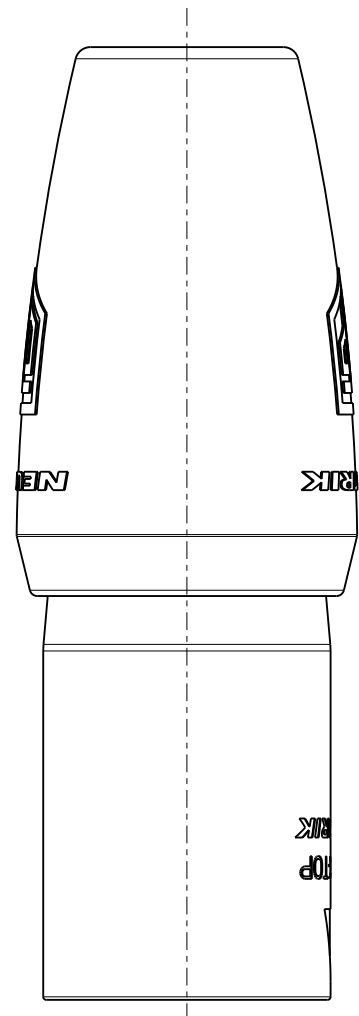
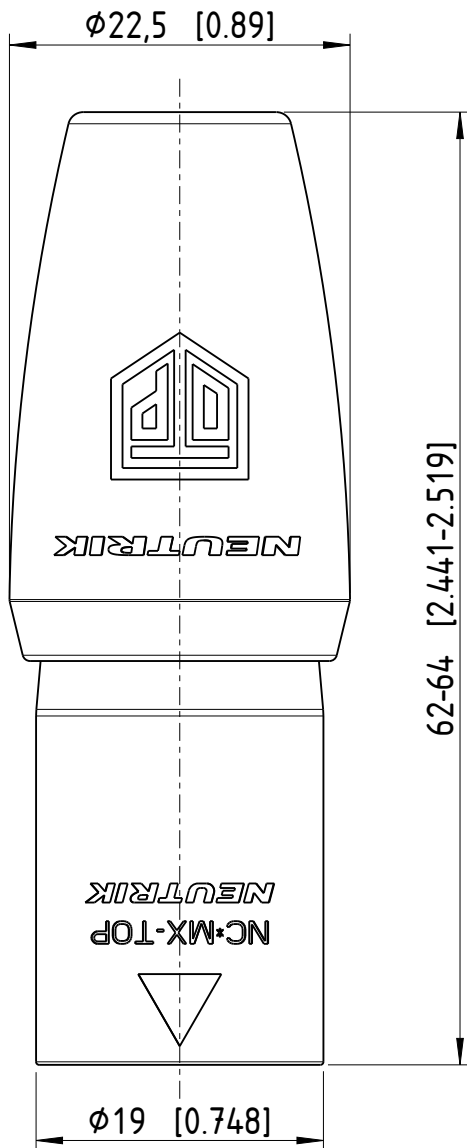


1:1



Sheet Number 1/1	Projection 	Scale 2:1	Format A4	General Tolerancing ISO 2768 mK	
Description NC5MX1-TOP-14			Created on/by	11.08.2022	Feurle E.
			Approved on/by	11.11.2022	Schmiedl T.
Status Released			Article ID NC5MX1-TOP-14	Model ID 30009900	Drawing ID 20003996
			Revision	ECN Number	
			Neutrik Group		