

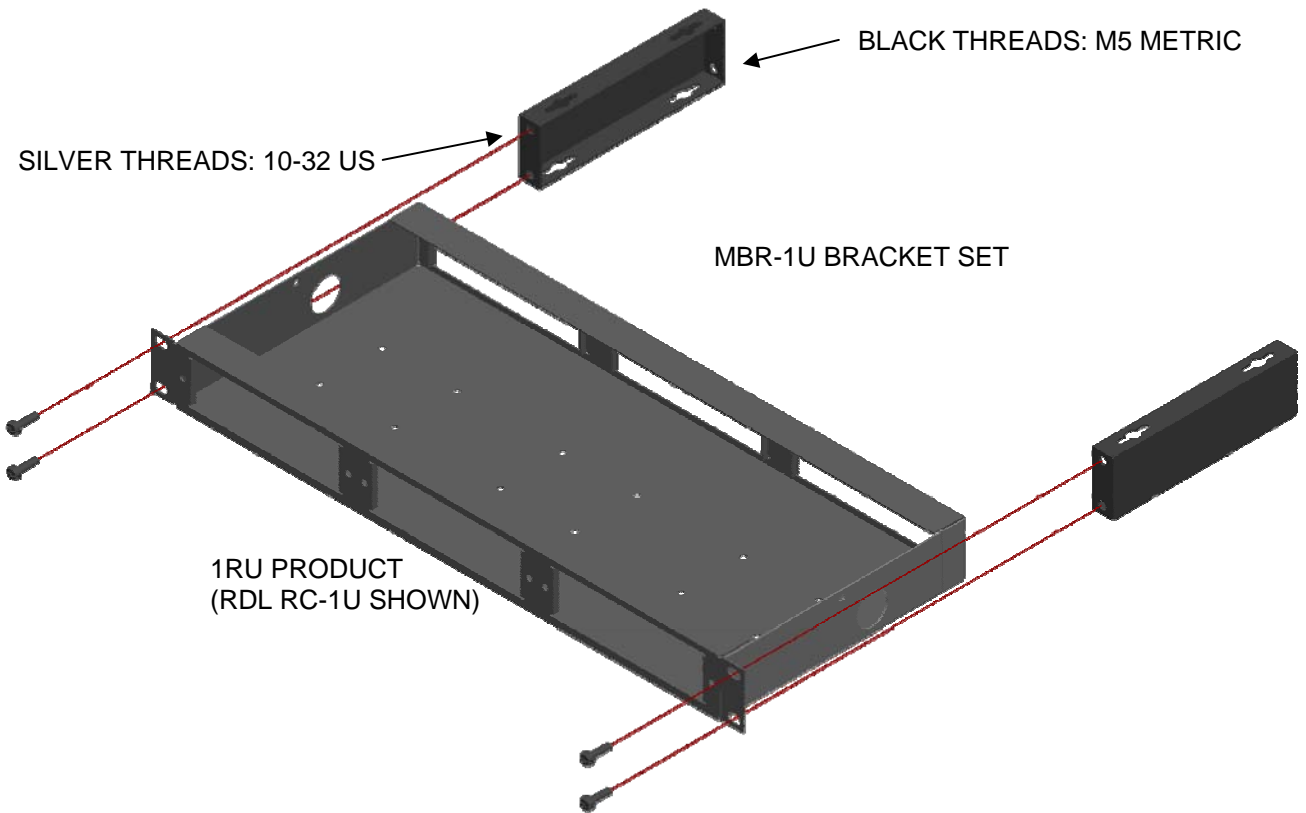
ACCESSORIES

Model MBR-1U Mounting Brackets

Installation/Operation



EN55103-1 E1-E5; EN55103-2 E1-E4
Typical Performance reflects product at publication time
exclusive of EMC data, if any, supplied with product.
Specifications are subject to change without notice.



Mount brackets to table or under counter with either US or metric threads facing forward. Secure any 1 RU product to the brackets.

TYPICAL PERFORMANCE

Dimensions (each bracket):

Height:	1.75 in.	4.45 cm
Depth:	6 in.	15.24 cm
Width:	0.7 in.	1.78 cm

Material:

16-gauge Steel

Finish:

RDL Black