



Sennheiser Documentation App



or online at
www.sennheiser.com/download
evolution wired_



e 902

Quick Guide

Kurzanleitung

Guide rapide

Guida rapida

Guía de inicio rápido

Guia rápido

Beknopte handleiding

Krótką instrukcja obsługi

Snabbguide

Kvikstartguide

Pikaohje

Γρήγορος οδηγός

Kisa Kilavuz

Краткая инструкция

快速指南

快速使用指南

퀵 가이드

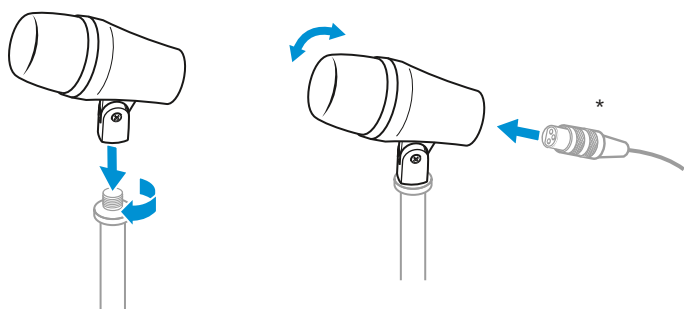
Sennheiser electronic GmbH & Co. KG

Am Labor 1, 30900 Wedemark, Germany
www.sennheiser.com

Publ. 06/19, 581333/A02

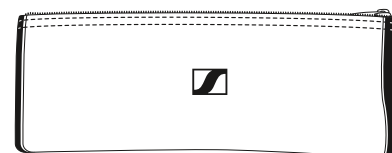
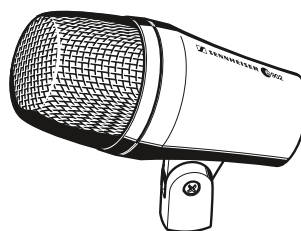
SENNHEISER

Setup



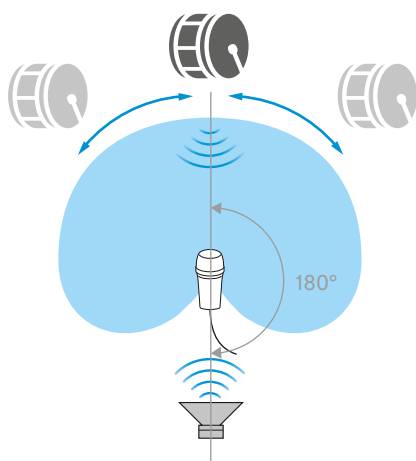
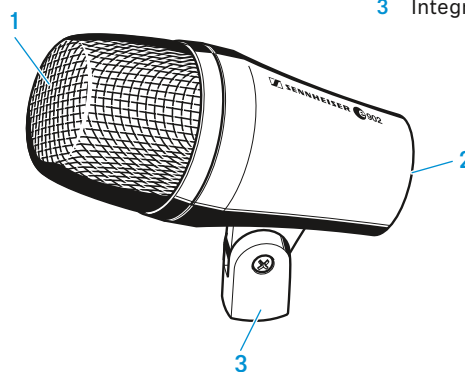
*XLR-3 cable not included

In the box

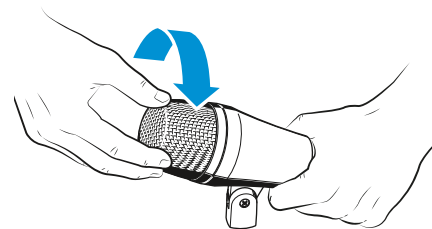
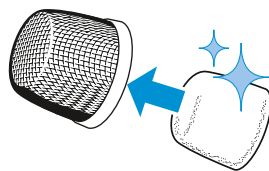
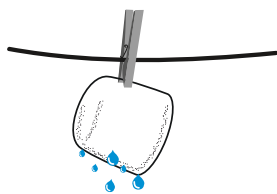
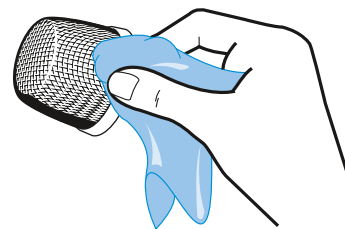
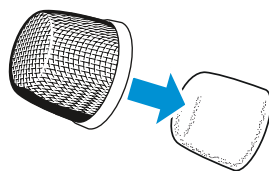
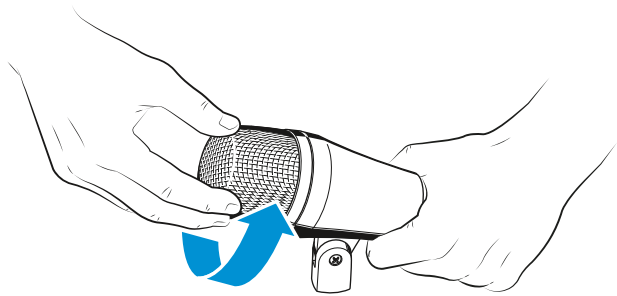


Overview

- 1 Sound inlet basket
- 2 XLR-3 connector
- 3 Integral stand mount



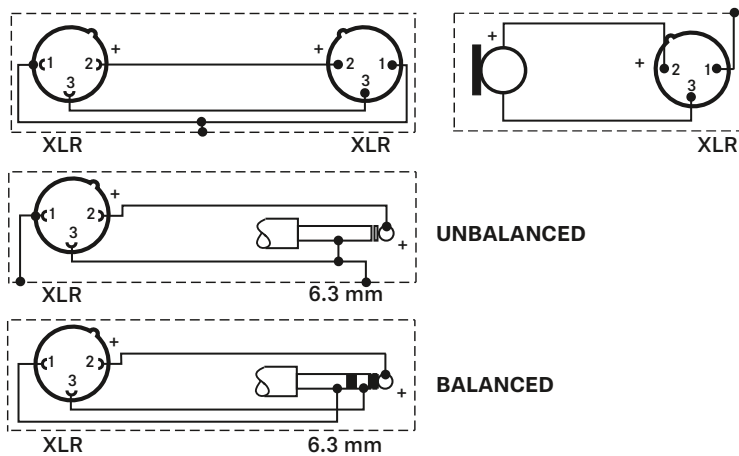
Cleaning



Specifications

Transducer principle	dynamic
Frequency response	20 - 18,000 Hz
Pick-up pattern	cardioid
Sensitivity (free field)	0.6 mV/Pa (at 60 Hz) 0.2 mV/Pa (at 1 kHz)
Nominal impedance (at 1 kHz)	350 Ω
Min. terminating impedance	1 kΩ
Connector	XLR-3
Dimensions	∅ 60 x 128.5 mm
Weight	440 g

Connector assignment



Polar pattern and frequency response

