

Digital Wireless Receiver

Operating Instructions

DWR-R02DN

DWX **WiDIF-HP**
DIGITAL WIRELESS  Cross Remote

Table of Contents

Features	4	Display of the Power Save Setting (POWER SAVE).....	26
Parts Identification	6	Display of the Transmission Power Setting (RF POWER)	26
Front Panel.....	6	Display of Audio Input Level (INPUT LEVEL).....	26
Rear Panel.....	9	Display of the Attenuator (ATT)	26
Preparation	11	Display of the Low-cut Filter Setting (LCF).....	26
Rack Mounting	11	Display of the +48 V Power Setting (+48V).....	26
System Configuration Examples	12	Display of Accumulated Transmitter Use Time (TIME).....	26
Using the Supplied Antennas.....	12	Display of Internal Signal Generation (INTERNAL SG).....	26
Configuration Example of Multi-Channel System	14	POWER Switch Lock (PWR SW LOCK).....	26
Configuration Example of ST Remote System	17	POWER Switch Status (PWR SW STATE)	26
Configuration Example of NT Remote System	18	RF REMOTE Menu.....	27
Setting the Receiving Channel.....	19	Using the Cross Remote (RF REMOTE) ...	27
Selecting the Band Block.....	19	Pairing With a Transmitter (PAIRING)	27
Selecting the Frequency Band	19	Displaying the Remote Mode (MODE).....	28
Selecting the Group/Channel.....	19	UTILITY Menu	28
Using the Active Channel Scan Function...	20	Items Related to Signal Reception (RF submenu).....	28
Using the Clear Channel Scan Function....	20	Items Related to Audio (AUDIO submenu).....	29
Using the Encrypted Transmission Function	21	Items Related to Network (NETWORK submenu).....	29
Using Secure Key Mode (SECURE KEY).....	21	Items Related to Alerts (ALERT FUNCTION submenu).....	29
Using Password Mode (PASSWORD).....	22	Sensitivity Setting for Received Signal Quality Alert (QL ALERT SENS)	30
Setting the Audio Codec Mode	22	Items Related to Display (DISPLAY submenu)	30
Menu Displays and Detailed Settings.....	23	Resetting Parameters to Their Factory Settings (FACTORY PRESET)	30
Menu Structure and Hierarchy.....	23	Displaying the Software Version (VERSION).....	30
Basic Menu Operations.....	23	Changing the Settings on the Transmitter.....	31
RECEIVER Menu.....	24	Frequency band setting (BAND)	31
Frequency band setting (BAND)	24	Group/channel Setting (GP/CH).....	31
Group/channel Selection (GP/CH)	24	Transmitter Name Setting (NAME)	31
Active Channel Scanning Function (ACTIVE CH SCAN)	24	Power-saving Setting (POWER SAVE)....	31
Clear Channel Scan Function (CLEAR CH SCAN).....	24	Transmission Power Setting (RF POWER).....	31
Encrypted Transmission Function (ENCRYPTION).....	25	Audio Input Level Setting (INPUT LEVEL).....	31
Setting the Audio Codec Mode (CODEC MODE).....	25	Attenuator Setting (ATT)	31
Setting Analog Audio Output Level (BAL OUT LEVEL)	25		
Ground Lift Function (GROUND LIFT)....	25		
Audio Output Setting (AF OUTPUT)	25		
TRANSMITTER (Transmitter Virtual) Menu	26		
Display of the Transmitter Name (NAME)	26		

Low-cut Filter Setting (LCF).....	31
+48 V Power Setting (+48V).....	31
Resetting Accumulated Transmitter Use Time (TIME)	31
Audio codec mode setting (CODEC MODE).....	31
Internal Signal Setting (INTERNAL SG)	32
POWER Switch Lock Setting (PWR SW LOCK).....	32
Block Diagram	33
When the Alert Indicator Lights	34
Error Messages	35
Troubleshooting	36
Important Notes on Operation	38
Notes on Using the Receiver	38
On cleaning	38
Specifications	39
Carrier Frequencies and Channel Steps	41

Features

The DWR-R02DN Digital Wireless Receiver is a rack-mountable wireless receiver capable of receiving two channels from digital wireless transmitters. This receiver enables the application of multiple channels over unused television channels through the use of the built-in Sony original channel plan.

What is DWX?

DWX refers to Sony's new digital wireless microphone system. The DWX series reflects Sony's extensive expertise in professional microphones and sound design. It represents a successful blend of Sony know-how, wireless technology renowned for stability, and cutting-edge digital audio technology.

In addition to realizing the high sound quality possible with a digital system, the DWX series supports multi-channel simultaneous operation, encrypted transmission, and metadata transmission for monitoring the status of multiple transmitters. Using a main link and a separate additional link, remote control of transmitters from the receiver is also possible. With its many advanced features, the system has the potential to revolutionize the workflow of professional applications.

What is WiDIF-HP?

WiDIF-HP (WiDIF: Wireless Digital Interface Format, HP: High Profile) is a wireless digital audio interface format developed by Sony.

It enables highly secure transmission with high sound quality and low system latency, and supports simultaneous multi-channel operation.

What is Cross Remote?

Cross Remote is a system that allows transmitters to be monitored and controlled from a receiver and the Wireless Studio control software installed on a computer connected to the receiver.

For example, the settings of a transmitter worn under clothing can be easily changed over the wireless link.

Preprogrammed wireless channel plans for simultaneous multi-channel operation

The DWR-R02DN has many preprogrammed channel groups, meaning combination of wireless channels to permit simultaneous operation of multiple channels without intermodulation. The DWR-R02DN also has channel plans for multi-channel system using digital wireless system with analog wireless system, making the channel setting easier in such cases.

Building up wireless remote control system according to system scale

Digital wireless transmitters can be remotely controlled while checking their status on the display of the DWR-R02DN. You can also use the supplied PC control software to enable remote control from a PC. According to the scale and purposes of the system, the following two types of wireless remote control system can be built up.

ST remote system (stand-alone wireless remote control system)

The DWR-R02DN emits control signal through the whip antenna attached to the REM ANT connector to control the transmitters.

NT remote system (network wireless remote control system)

By adding the optional RMU-01 Remote Control Unit, up to 82 transmitters can be controlled, enabling the multi-channel remote control system operation. Using two or more RMU-01 units within a system can achieve wider area coverage.

Operation status monitoring and remote control of devices via the Wireless Studio software

The supplied Wireless Studio software allows you to monitor the status of each receiver, transmitter, and RMU used for operation, as well as change the settings for each receiver and transmitter. By saving the setting configurations as settings files and loading the files, you can configure groups of settings simultaneously.

Two-channel wireless receiver

With its dual-channel receiver capability, one DWR-R02DN can be used with two transmitters simultaneously. Up to eight units can be connected to an antenna in cascade, and up to 16 channels can also be operated without an antenna divider. Furthermore, if an optional WD-850 UHF Antenna Divider is used, a system with more than 16 channels can be built.

Auto channel scanning functions

The DWR-R02DN comes with two auto channel scanning functions (active channel scan function and clear channel scan function) that allow for fast, easy and safe frequency channel changes.

Three audio codec modes

Switch between audio codec modes based on your operational needs.

For details, see "Setting the Audio Codec Mode (CODEC MODE)" on page 25.

Various information display and improvement of operability

The large-scale OLED (Organic Light-Emitting Diode) display shows various operational information. The large display, menu buttons, and jog dial enable fast operation. Furthermore, an ALERT indicator on the front panel lights if trouble occurs during operation, so you can respond quickly.

Rack mounting

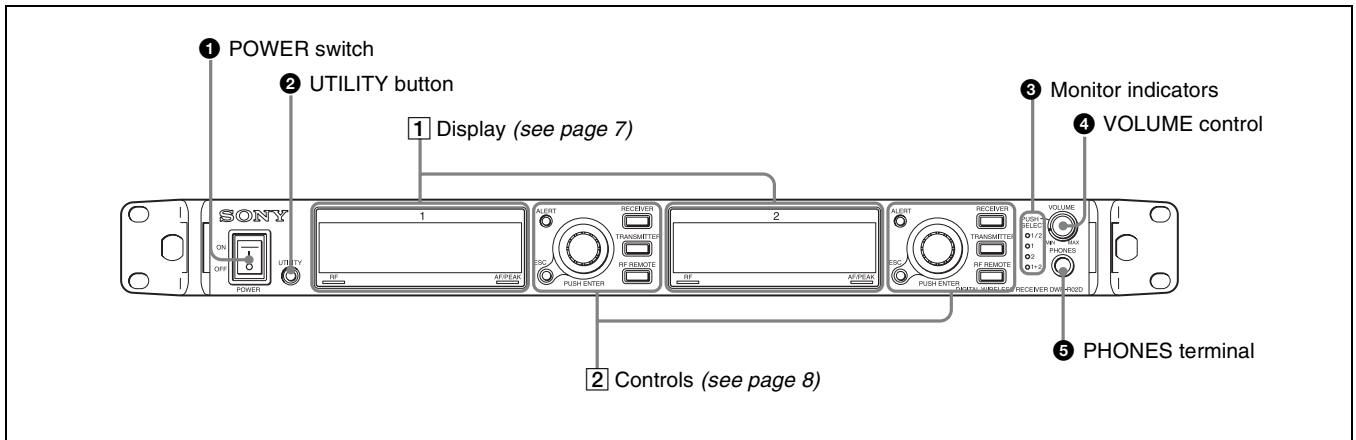
The DWR-R02DN can be mounted in an EIA standard 19-inch rack (1U size). Solid all-in-one structure is adopted on the screw brackets and side panels.

Two-way powering

A wide range of power-supply voltages from 100 to 240 V AC is supported. A DC input is also included to enable use in almost any environment.

Parts Identification

Front Panel



1 POWER switch

Turns the receiver on or off.

Set to the **I** position to turn the receiver on. Set to the **O** position when turning off the main power supply.

Note

When DC power is being input, you cannot turn off the power supply using this switch. To turn off the power supply in such cases, turn off the connected external power supply, or disconnect the connected cable.

2 UTILITY (UTILITY menu) button

Press to display UTILITY menu. This button lights up brightly during UTILITY menu operation.

3 Monitor indicators

One of four indicators lights up corresponding to the VOLUME control operation.

1/2: Audio from channel 1 is output from the L channel of the headphones and audio from channel 2 is output from the R channel.

1: Audio from channel 1 is output from the L and R channels of the headphones.

2: Audio from channel 2 is output from the L and R channels of the headphones.

1+2: Audio from channel 1 and 2 are mixed to be output L and R channels of the headphones.

4 VOLUME (monitor channel selection/monitor volume) control

Press to change the audio output from the headphones. Rotate to control monitor volume.

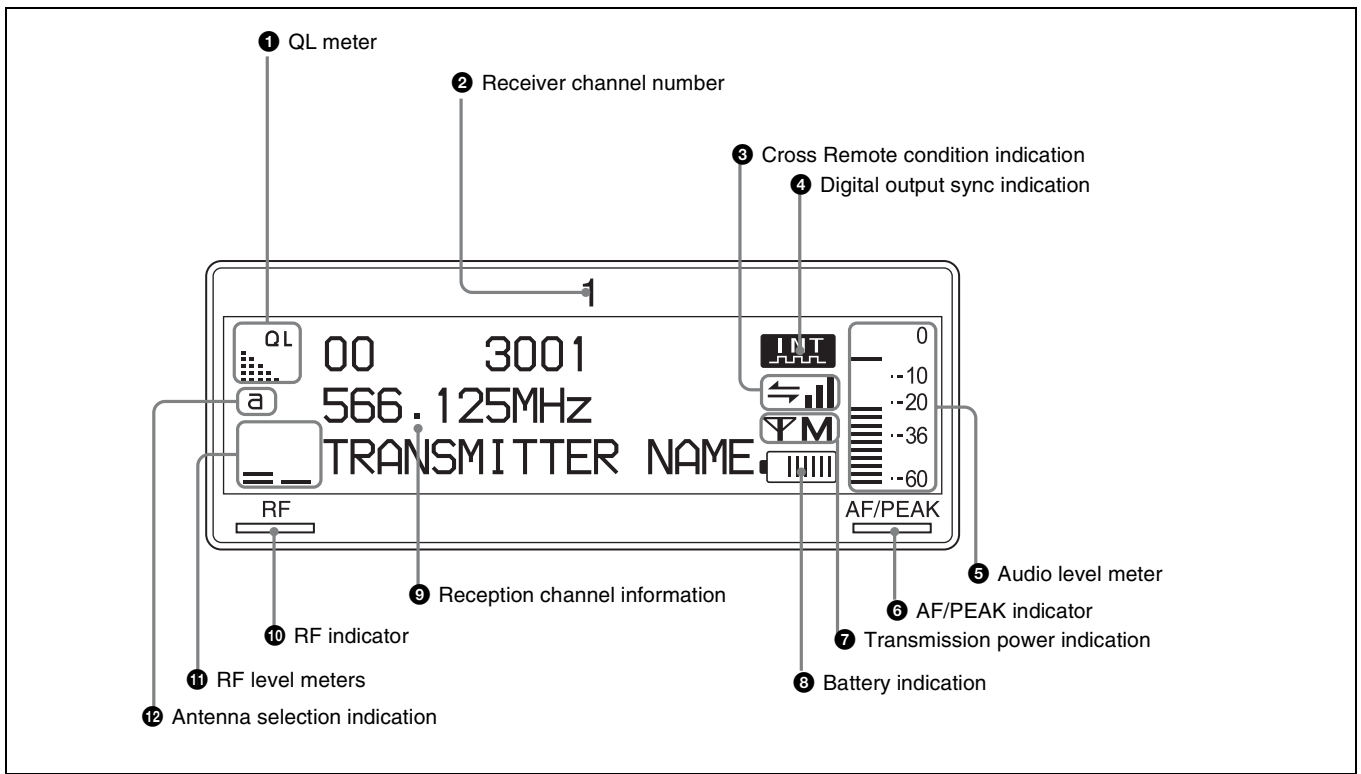
5 PHONES (headphones) terminal

Connect the headphones here.

1 Display

The contents of the display before the DWR-R02DN enters menu operation (top display) are described below. Since the top display shows information contained in the metadata sent from the transmitter as well as the receiver settings and status, this can be used for operation monitoring.

The display contents of receiver channel 1 and 2 are the same. The display of receiver channel 1 is used for illustration purposes.



1 QL (signal quality level) meter

Indicates the quality of data that is received. This meter allows you to monitor RF signal deterioration that may occur when there is signal interference or when the transmitter is too far from the receiver.

2 Receiver channel number

Indicates the receiver channel number.

3 Cross Remote condition indication

Indicates the signal transmission condition of the wireless remote control function (four levels).

- ↔||||: Good transmission
- ↔|||: Somewhat good transmission
- ↔||: Somewhat poor transmission
- ↔|: Poor transmission
- ↔/: Unable to communicate with paired transmitter

Note

When the wireless remote control function (*see page 27*) is off, this indication does not appear.

4 Digital output sync indication

Indicates sync status of the signal output from the DIGITAL OUT connectors.

- INT: Output signal is in sync with the internal clock.
- EXT: Output signal is in sync with the signal input from the WORD SYNC IN connector.

5 Audio level meter

Indicates the level of audio signal input to the transmitter. The segments indicating below the reference input level of the transmitter appear dimly.

When "MIC" is set for the reference input level on the transmitter: Segments indicating -36 dBFs or below appear dimly.

When "LINE" is set for the reference input level on the transmitter: Segments indicating -20 dBFs or below appear dimly.

For details on disabling the peak display, see "AF Peak Level Hold Duration Setting (AF PEAK HOLD)" on page 29.

6 AF/PEAK (audio signal peak) indicator

Lights up green when the audio signal exceeding reference level is input to the transmitter.

Lights up red when the audio signal exceeding -3 dBFs is input to the A/D converter on the transmitter.

7 Transmission power indication

Indicates the current transmission power setting. This setting can be changed in the TRANSMITTER menu (*see page 26*).

- ☐ H: transmitting at 50 mW
- ☐ M: transmitting at 10 mW
- ☐ L: transmitting at 1 mW

For details on changing the transmitter settings, see “Changing the Settings on the Transmitter” on page 31.

8 Battery indication

Based on metadata from the transmitter, this shows the transmitter’s battery condition according to eight level indications.

Replace both batteries when the battery indication starts to flash.

For details on how to change the batteries on the transmitter, refer to the *Operating Instructions* supplied with the transmitter.

9 Reception channel information

Shows the information on receiving signal and the transmitter name.

First row: Group and channel

Middle row: Frequency of the channel

Last row: Transmitter name and sleep state

10 RF (radio reception) indicator

Lights up to indicate the level of the signal input from the ANTENNA a/b IN connector as follows.

On in orange: 80 dB μ or more

On in green: 25 dB μ to 80 dB μ

On in red: 15 dB μ to 25 dB μ

Off: Less than 15 dB μ

11 RF (radio reception) level meters

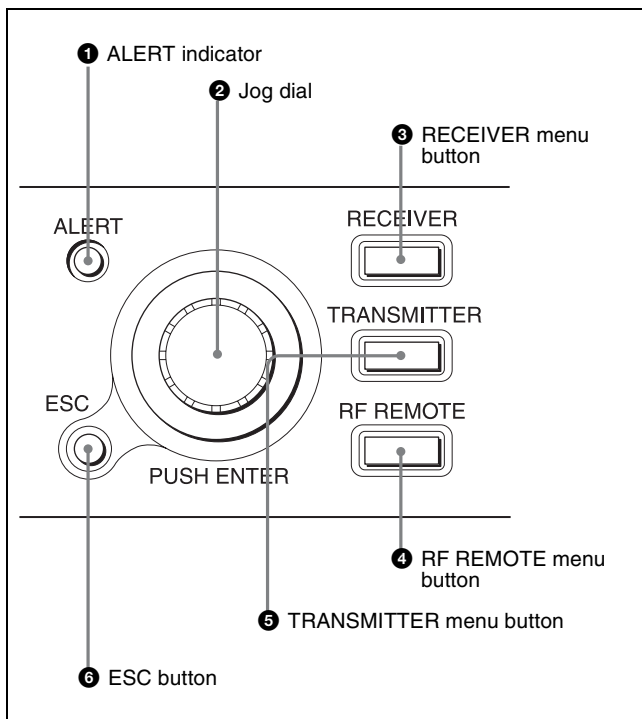
Indicates the level of the signal input from the ANTENNA a/b IN connector. The number of segments that light up depends on the input level.

12 Antenna selection indication

Indicates the antenna currently selected by the diversity function.

2 Controls

The control areas for channel 1 and channel 2 are identical.



1 ALERT (alert) indicator

Lights up red when error is detected.

For the specific causes of alerts and remedies, see “When the Alert Indicator Lights” on page 34.

2 Jog dial

Rotate to select an item or a parameter value in the menu. Press to enter the selected item or parameter value.

3 RECEIVER (RECEIVER menu) button

Press to enter the RECEIVER menu. While in the RECEIVER menu, this button lights up brightly.

4 RF REMOTE (RF REMOTE menu) button

Press to enter the RF REMOTE menu. While in the RF REMOTE menu, this button lights up brightly.

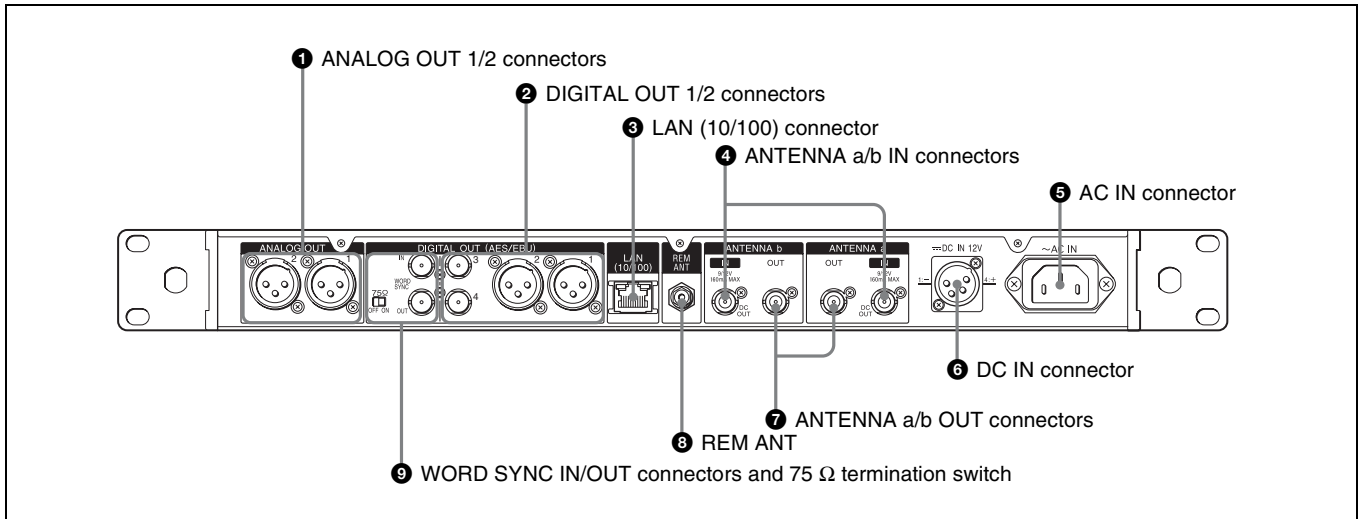
5 TRANSMITTER (TRANSMITTER menu) button

Press to enter the TRANSMITTER menu. While in the TRANSMITTER menu, this button lights up brightly.

6 ESC (escape) button

Press to go back to the previous menu display.

Rear Panel



1 ANALOG OUT (analog output) 1/2 connectors (XLR type)

Connect the analog input connector of mixer, amplifier, or other equipment.

You can use menu operations to set the output level and to disconnect the XLR connector grounding (pin 1) and the chassis grounding.

For details, see “Setting Analog Audio Output Level (BAL OUT LEVEL)” on page 25 and “Ground Lift Function (GROUND LIFT)” on page 25.

2 DIGITAL OUT (digital output) 1/2/3/4 connectors (1/2: XLR type, 3/4: BNC-R)

These connectors output a digital audio signal in AES3 format. Connect the digital input connector of mixer, amplifier, or other equipment.

3 LAN (Ethernet) (10/100) connector (RJ-45)

This is a 100Base-TX connector for network connection. Connect to a Windows PC, in order to use the supplied Wireless Studio software for communications with the computer.

For connection to a computer, use a category 5 or superior LAN cable with a maximum length of 100 m (approx. 330 ft). If the connection requires a total cable length exceeding 100 m (approx. 330 ft), use a hub between the computer and the DWR-R02DN.

Use the following type of cable when:

Directly connecting the computer and the DWR-R02DN: Cross cable

Using a hub between the computer and the DWR-R02DN: Straight cable

4 ANTENNA a/b IN (antenna a/b input) connectors (BNC-R)

Connect an optional UHF antenna (e.g., AN-820A) and the supplied whip antenna to these connectors.

When an antenna is connected, this connector supplies 9 V or 12 V DC power to the booster incorporated in the antenna. When using an antenna which does not require a

power supply, you can turn off the power output by menu operation.

For details, see “DC power supply setting for antennas (ANT DC OUT)” on page 28.

Antenna attenuator can be also set with menu operation according connection methods of the antennas.

For details, see “Antenna attenuator setting (ANT ATT a/b)” on page 28.

Notes

- Do not short-circuit this connector.
- When connecting DWR-R02DN units in cascade, set ANT ATT a/b to “0dB” and ANT DC OUT to “OFF” on any DWR-R02DN unit that is not directly connected to the antenna.

About the antenna gain and the cable loss

When the antenna with the booster is connected to the DWR-R02DN and the antenna gain exceeds the coaxial cable loss between the antenna and the DWR-R02DN, the RF signal which exceeds the allowable level may be input to this unit.

To prevent this, set the cable loss and antenna attenuator (0dB, 5dB or 10dB) (see page 28) to meet the following equation.

The RF indicator on the receiver lights in orange when the input becomes 80 dBμ or higher, so you can use it as a rough guide.

Gain of antenna booster - Cable loss between antenna and this unit - Antenna attenuator setting (dB) = 0 dB or less

Reference: signal loss examples

Type of cable		RG-212/U		RG-213/U	
Frequency		600 MHz	800 MHz	600 MHz	800 MHz
Cable length	50 m (approx. 165 ft)	12 dB	14 dB	9 dB	11 dB
	100 m (approx. 330 ft)	24 dB	28 dB	18 dB	22 dB

For details on gain of antenna booster, refer to the operating instructions supplied with the antenna.

Notes

- The cable loss may differ depending on the manufacturer of the cables.
- The rated resistance of ANTENNA a/b IN connectors is 50 Ω. If the cable with 75 Ω resistance is used, actual signal loss is usually a few dB lower than the values on the table above.

5 AC IN connector

Connect to an AC power source with the supplied AC power cord.

6 DC IN connector (XLR)

This connector connects to an external +12 V DC power supply.

The DC IN pin configuration of the unit is as follows.

Pin No.	Function
1	–
2	NC
3	NC
4	+

Note

Make connections using proper polarity. Incorrect polarity may damage the unit.

Always check the polarity before making the connection.

AC power supply is prioritized when operating the unit. To stop DC power supply, turn off the connected external power supply or disconnect the connected cable.

7 ANTENNA a/b OUT (antenna a/b output) connectors (BNC-R)

These connectors output the signals input from the ANTENNA a/b IN connectors. Using these connectors, you can connect up to eight of DWR-R02DN units in cascade.

8 REM ANT (ST remote system antenna)

This is an external antenna for the ST remote system.

9 WORD SYNC IN/OUT (sync signal input/output) connectors and 75 Ω termination switch

When you want to synchronize digital output with an external sync signal, input the external sync signal to the WORD SYNC IN connector.

The sync signal input from the IN connector is output from the OUT connector.

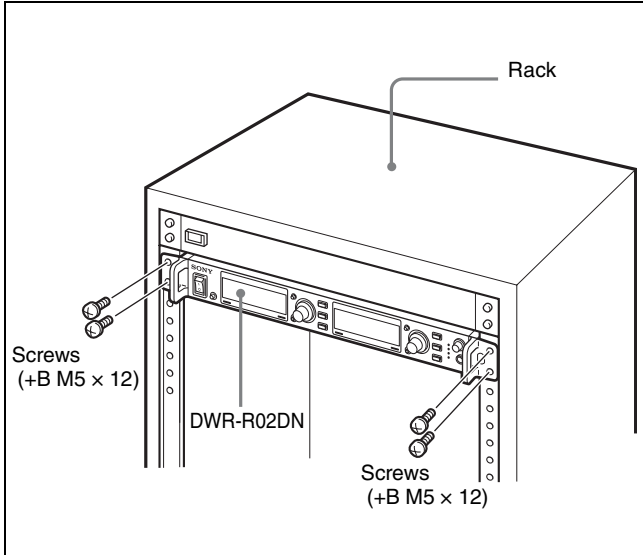
Set the 75 Ω termination switch of only the DWR-R02DN unit at the end of the cascade connection to ON.

For details on connecting to the WORD SYNC connectors, see “Connection Example of Word Clock and Audio” on page 16.

Preparation

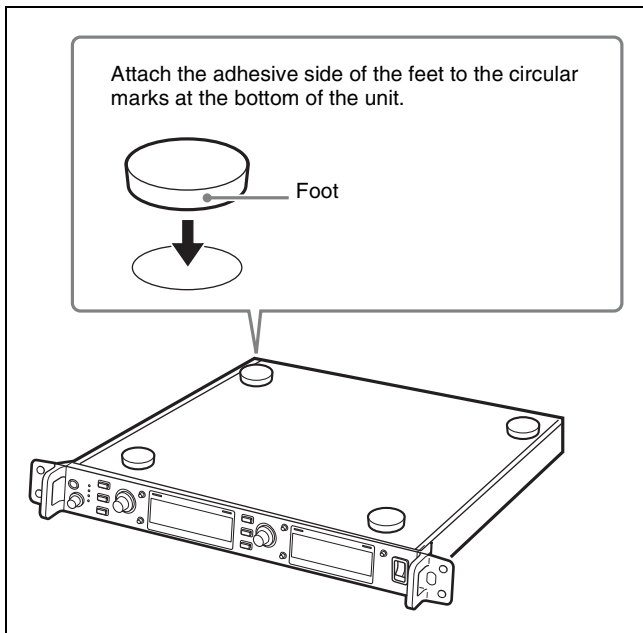
Rack Mounting

Use the EIA standard 19-inch rack (1U size) with a depth of 350 mm to install the DWR-R02DN.



To use the DWR-R02DN without installing in the rack

Attach the supplied four feet to the bottom of this unit, as illustrated below.



To install the DWR-R02DN in the rack, be sure to remove the attached feet.

System Configuration Examples

You can build a multi-channel system, ST remote system (see page 4), or NT remote system (see page 4) shown below in accordance with the scale and purpose of the system you want to build.

You can improve user-friendliness by combining a multi-channel system with a remote system.

The type and maximum number of equipment that can be included in each system are described below.

Note

When any RMU-01 unit is detected in the Ethernet connection, the system automatically operates in NT remote system mode. When no RMU-01 unit is detected, ST remote system mode is applied.

The wireless remote control function receives a change command from the receiver or RMU-01 via a 2.4 GHz signal, and replies with the metadata in the audio packet. Therefore, use the wireless remote control function where it will be within range of the audio signal from the transmitter.

	Multi-channel system	ST remote system	NT remote system
DWR-R02DN	1 to 41	1 to 3	1 to 41
Sony digital wireless transmitter	1 to 82	1 to 6	1 to 82
RMU-01	Not required	Not required	1 to 9
Wireless Studio	Can be used to monitor the status of receivers, transmitters, and RMUs		

Using the Supplied Antennas

To maximize the reception performance of this unit, we recommend using optional AN-820A or AN-01 UHF antennas.

For narrow service areas, however, you can also use the supplied whip antennas.

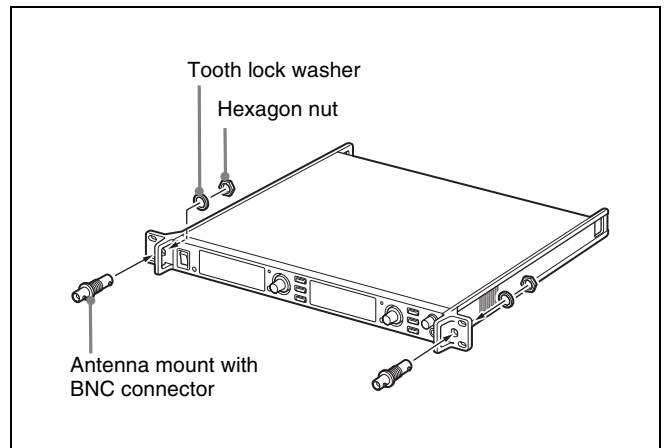
Note

When using the supplied whip antennas, be sure to verify your service area beforehand.

The supplied whip antennas can be attached to the front or rear panel of the unit.

Front panel attachment

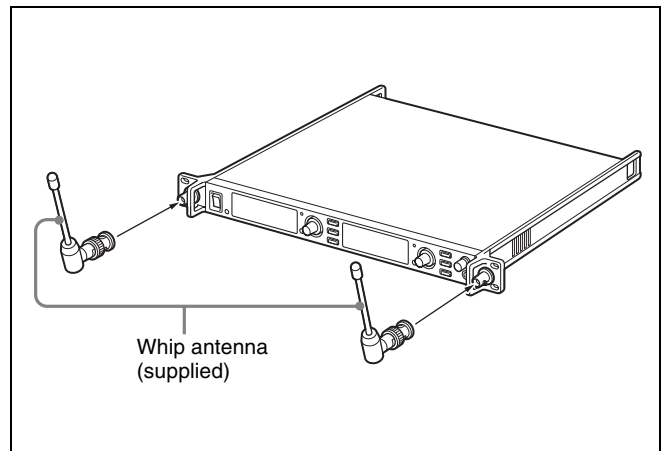
- 1 Insert commercially available antenna mounts with BNC connectors into the front panel, and secure them with hexagon nuts (14 mm).



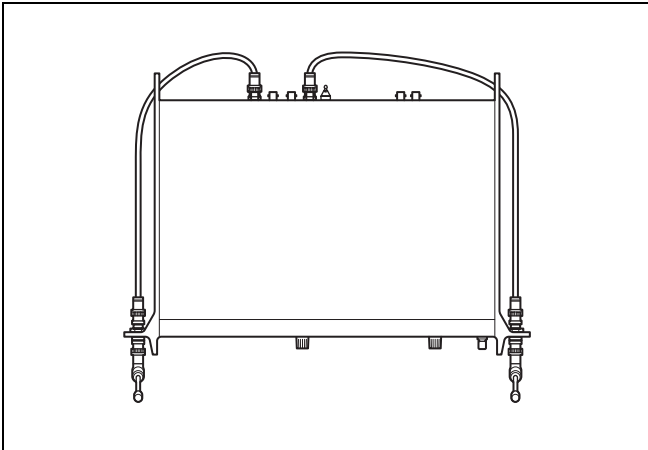
Note

You can also attach the antennas so that the hexagon nuts are located on the front side of the front panel. If you have trouble securing the hexagon nuts on the back side of the front panel, insert the antenna mounts with BNC connectors into the front panel from the back side, and secure the nuts on the front side.

- 2 Attach the supplied whip antennas.

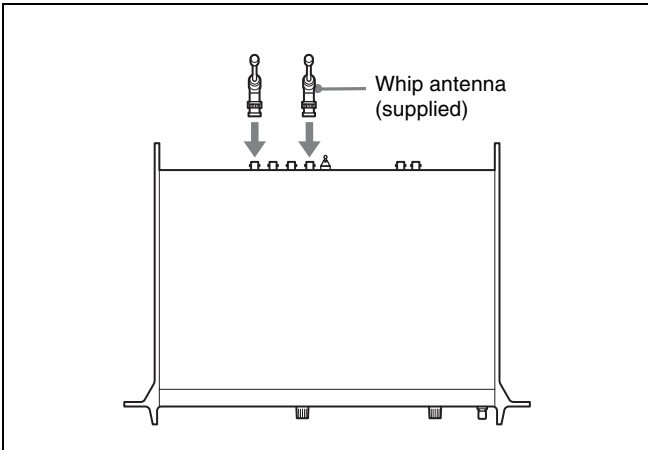


- 3** Use commercially available BNC cables (50 Ω , 60 cm or longer) to connect the antenna mounts with BNC connectors to the ANTENNA a/b IN connectors on the rear panel of the unit.

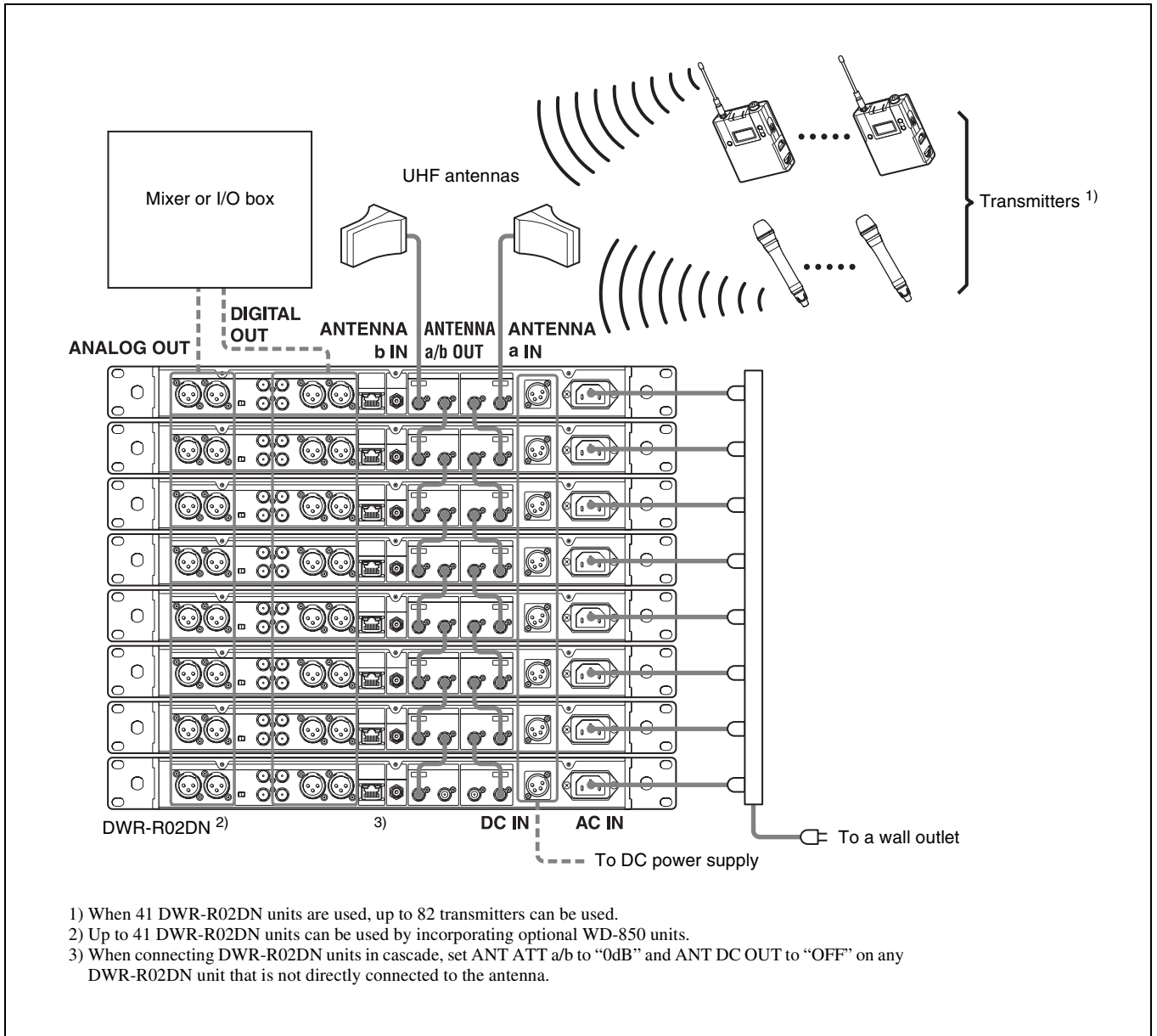


Rear panel attachment

Attach the supplied whip antennas to the ANTENNA a/b IN connectors on the rear panel.

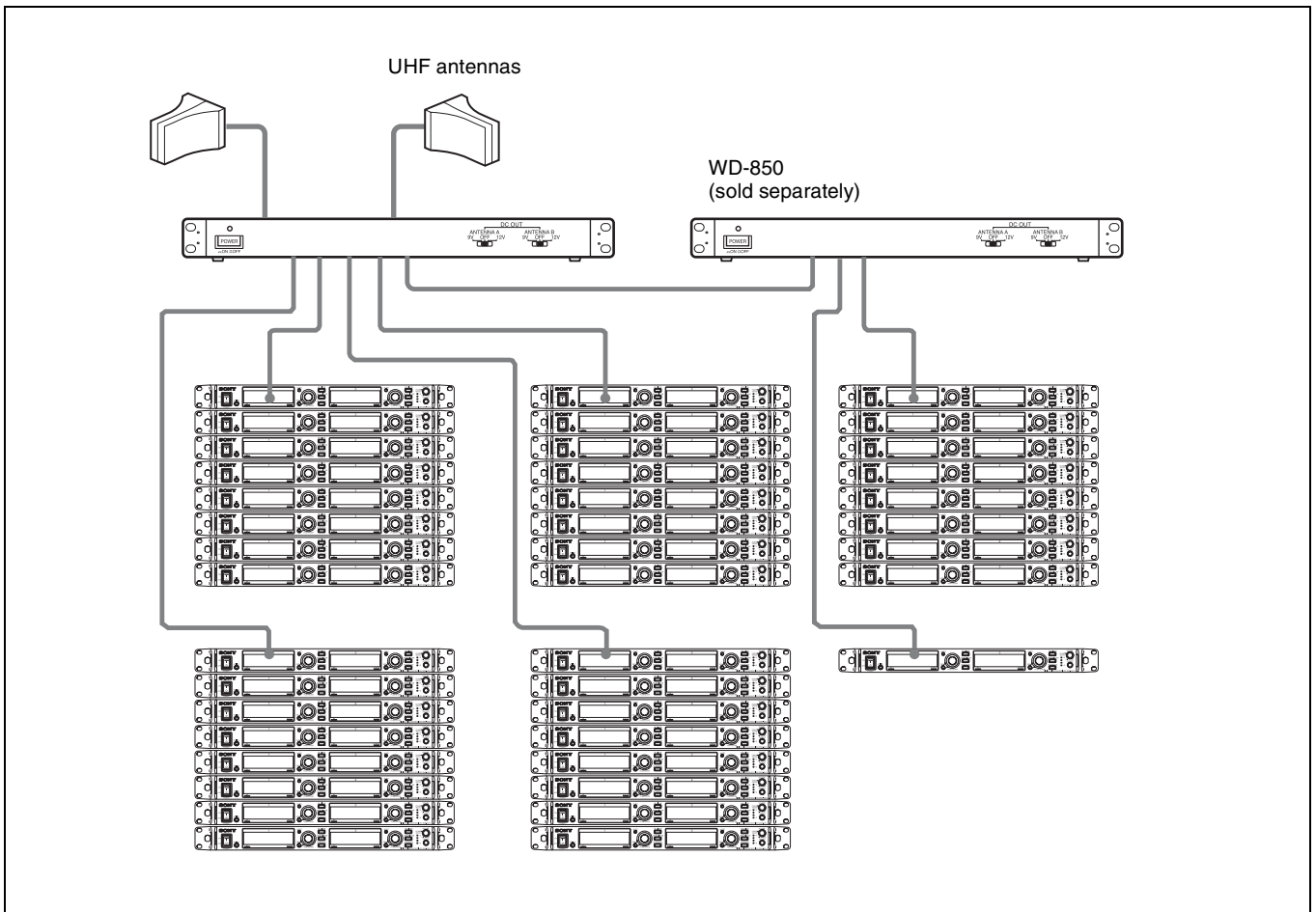


Configuration Example of Multi-Channel System



Usage Example of Antenna Divider

Example of a system that connects a total of 41 units (82 channels) in cascade via a separately sold WD-850



Connection Example of Word Clock and Audio

For digital audio output to be performed correctly, it is necessary to connect a device incorporating a sampling rate converter to the DIGITAL OUT 1/2/3/4 connector of the receiver or input a master word clock signal to the WORD SYNC IN connector of the receiver and perform synchronization.

There are the following two types of system for inputting a master word clock signal to perform synchronization.

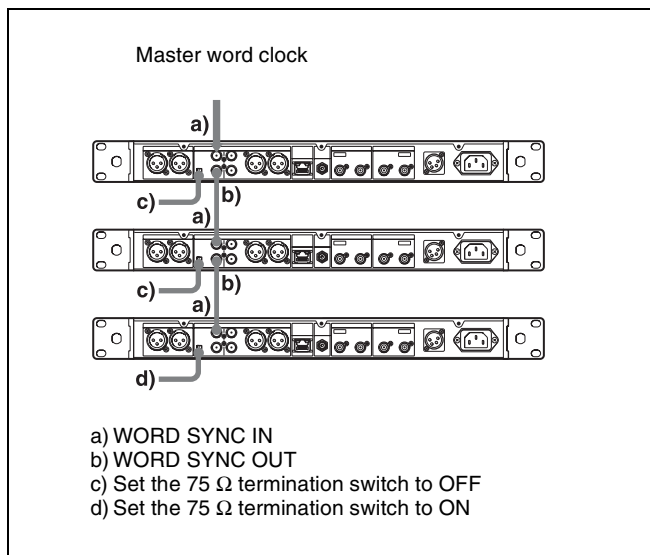
Note

If the number of connected devices is high, we do not recommend cascade connections. We recommend using a word clock divider.

Synchronization system example 1

This system connects the master word clock signal in cascade via the WORD SYNC OUT connector of this device.

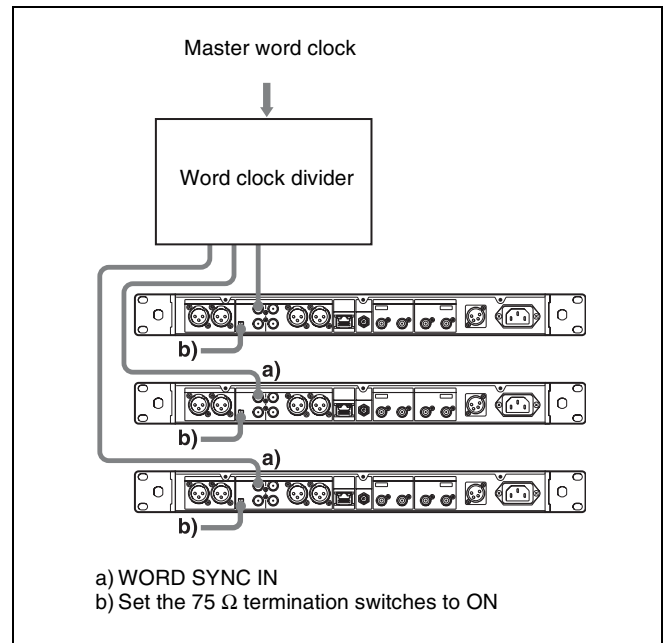
Set the 75 Ω termination switch of only the DWR-R02DN unit at the end of the cascade connection to ON.



Synchronization system example 2

This system divides the master word clock signal with a divider, and then connects to each device.

Set the 75 Ω termination switches of all DWR-R02DN units to ON.

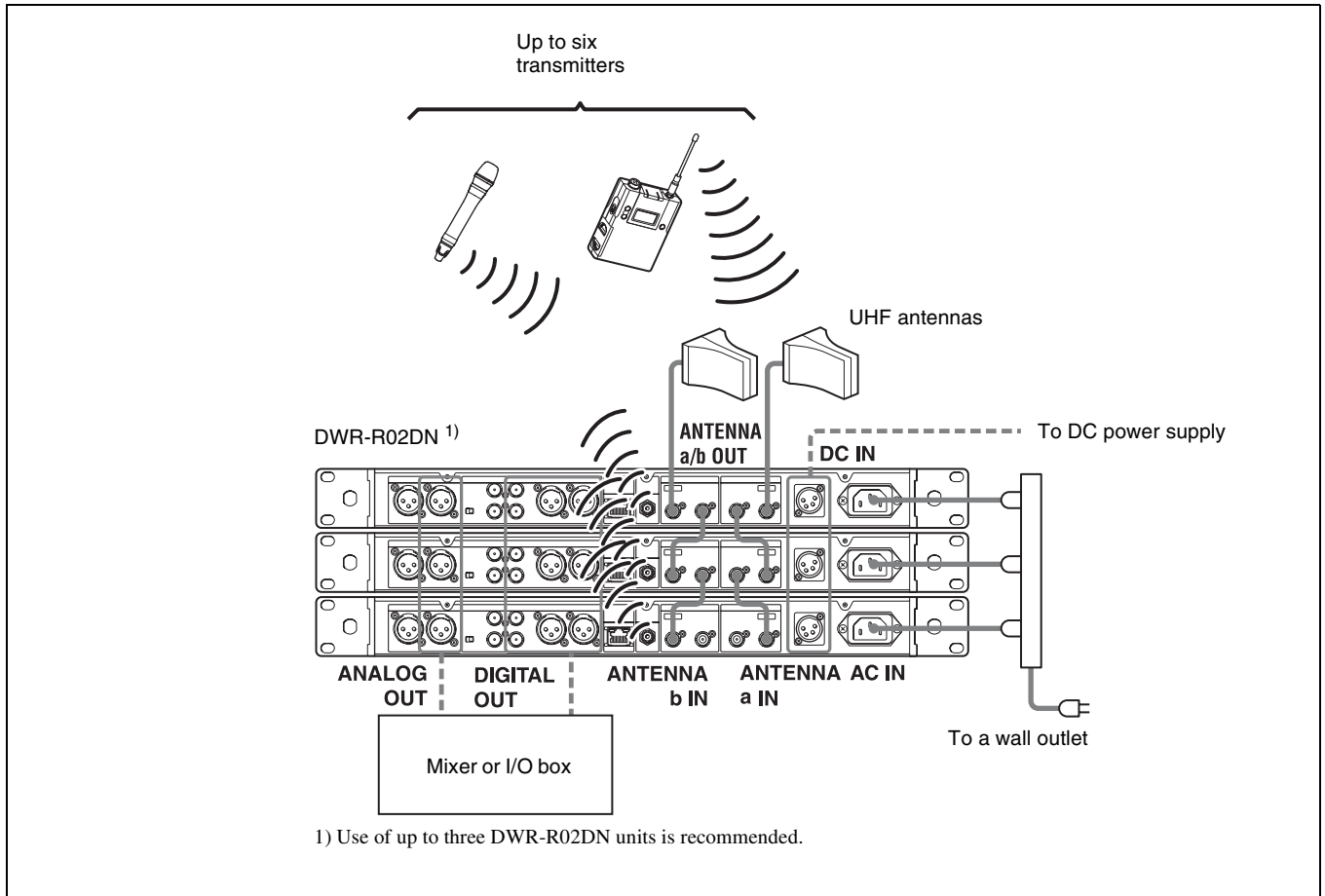


Configuration Example of ST Remote System

The DWR-R02DN controls the system with the wireless remote control function, by using the antenna attached to the REM ANT connector on the rear panel.

Note

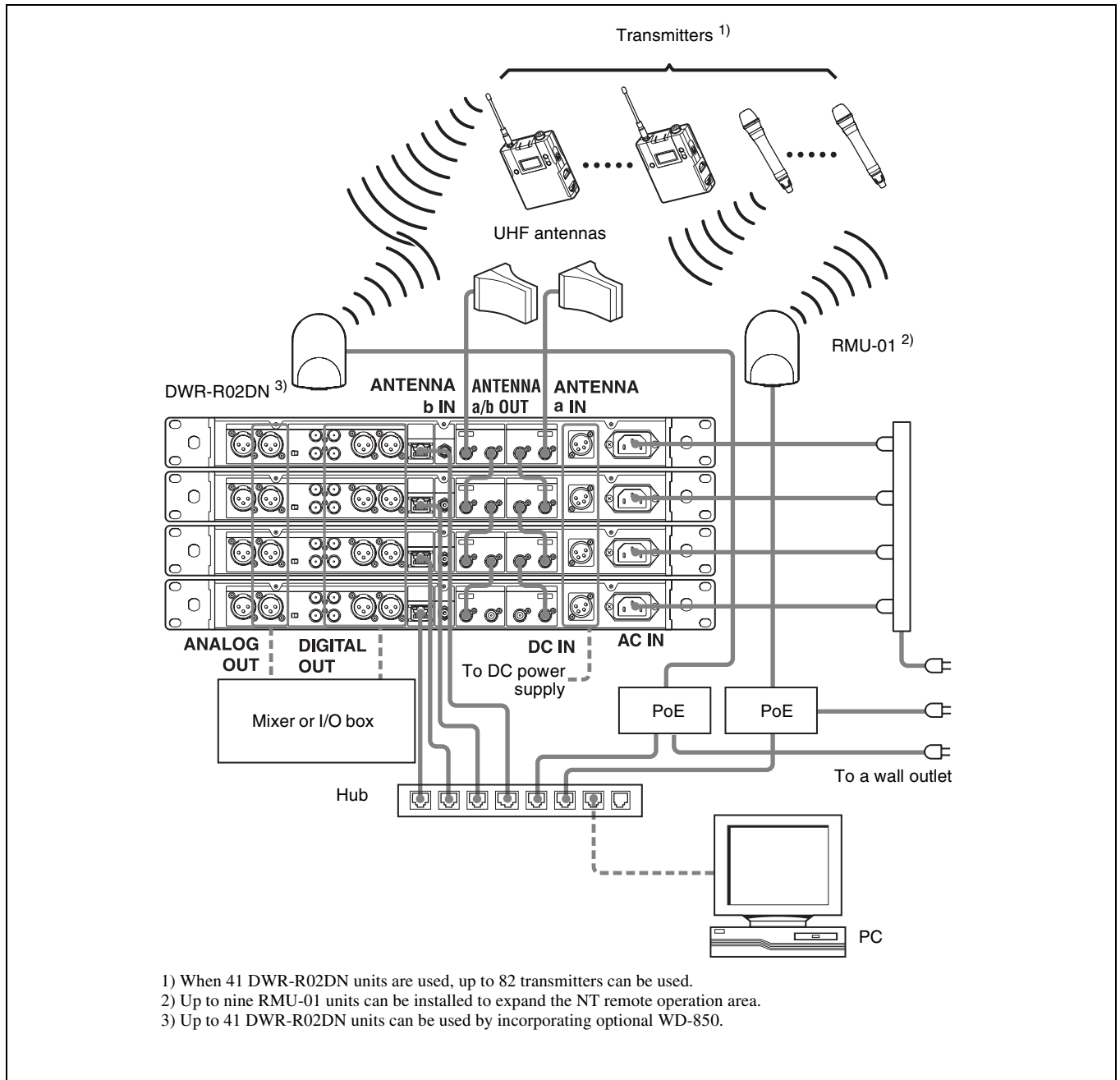
In the ST remote system, each DWR-R02DN unit uses one channel of radio wave. When more transmitters are used in the system, communication congestion may occur, resulting in slow response on the controlled devices. If you plan to use six or more transmitters, operation in NT remote system using the optional RMU-01 is recommended.



Configuration Example of NT Remote System

In the NT remote system, up to 82 transmitters can be controlled by using the one RMU-01 unit (not supplied). Up to nine RMU-01 units can be connected to the system to cover wider area.

For details on how to install the RMU-01, refer to the Operating Instructions supplied with the RMU-01.



Setting the Receiving Channel

The receiver provides groups of channels for interference-free transmission. When using multiple wireless microphones and transmitters (simultaneous multi-channel operations) within the same area, selecting the same group and using a channel within that group can prevent signal interference.

For details on groups and channels, refer to “Sony Digital Wireless Microphone System Frequency Lists” on the supplied CD-ROM “Digital Wireless Receiver.”

For details on menu operations, see “Basic Menu Operations” on page 23.

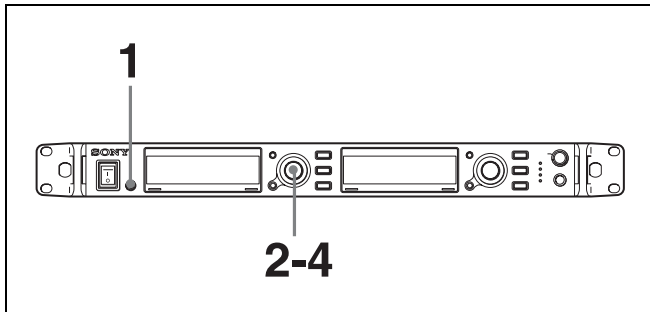
Selecting the Band Block

This receiver is capable of receiving signals in a wide band of frequencies.

Set the band block before setting the frequency band/group/channel.

Set the band block (BAND BLOCK) as follows.

The controls for channel 1 are used in the following illustration for explanation purposes.



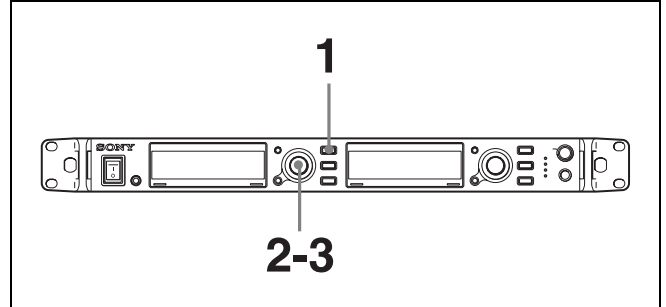
- 1** Press the UTILITY button to select the UTILITY menu.
- 2** Rotate the jog dial to move the cursor to the RF indication (the characters of the item selected with the cursor become highlighted), and then press the dial.
- 3** Rotate the jog dial to move the cursor to the BAND BLOCK indication, and then press the dial.
- 4** Rotate the jog dial to move the cursor to the band block indication that you want to select, and then press the dial.

Selecting the Frequency Band

Set the frequency band before setting the group/channel.

Set the frequency band (BAND) as follows.

The controls for channel 1 are used in the following illustration for explanation purposes.

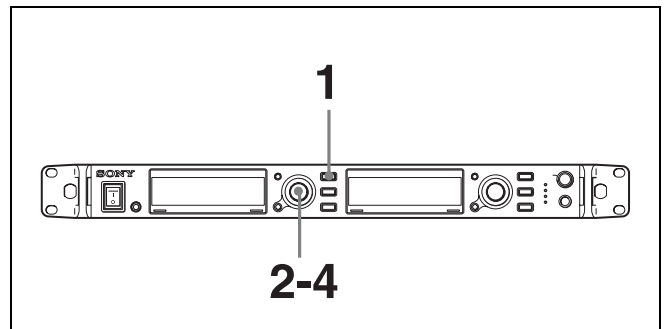


- 1** Press the RECEIVER button to select the RECEIVER menu.
- 2** Rotate the jog dial to move the cursor to the BAND indication, and then press the dial.
- 3** Rotate the jog dial to move the cursor to the frequency band indication that you want to select, and then press the dial.

Selecting the Group/Channel

Set the group (GP) and channel (CH) as follows:

In the procedure below, the controls for the receiver channel 1 are used for illustration purposes.



- 1** Press the RECEIVER button to select the RECEIVER menu.
- 2** Rotate the jog dial to move the cursor to GP/CH indication (the characters of the item selected with the cursor become highlighted), and then press the dial.
- 3** Rotate the jog dial to move the cursor to group indication that you want to select, and then press the dial.
- 4** Rotate the jog dial to move the cursor to channel indication that you want to select, and then press the dial.

When the Cross Remote (see page 27) is operating:

When you change the channel setting on the receiver, the new channel setting is sent to the transmitter that is paired with that receiver.

Note

If the receiving channel (CH) configured on the receiver is a channel for which use with the wireless remote control function is restricted on the transmitter side, the UNMATCH screen appears.

In such cases, change the receiving channel on the receiver. If you want to use the restricted channel, set REMOTE to OFF in the transmitter's menu to release the channel restriction, and manually configure the transmitter's channel.

About operation when using with dedicated digital channel plan

When performing multi-channel operation with a channel plan for digital only, make sure the RF indicator is always lit in green when in the operation area. The RF indicator lights in red or goes out when the reception signal input is weak, and lights in orange when it is strong.

If necessary, we recommend adjusting the gain of the connected antenna and configuring settings such as the antenna attenuator and antenna direction.

About use of the same group and channel by adjacent systems

When the same group and channel are being used by two or more systems that are within sight of each other and are separated without partitions or obstacles in wide open place, each system should be at least 100 meters away from the others to avoid interference.

Using the Active Channel Scan Function

This function scans for a Sony digital wireless frequency from the channel lists within the GP (group) selected during the GP/CH selection function.

Required condition for the detection:

- Sony digital wireless signal
- The setting of the encrypted transmission function is correct.

- 1** Press the RECEIVER button to select the RECEIVER menu.
- 2** Rotate the jog dial to move the cursor to ACTIVE CH SCAN indication, and then press the dial.

A message "START SCAN?" appears.

- 3** Rotate the jog dial to select YES, and then press the dial.

Scanning starts. When a Sony digital wireless frequency is detected, scanning stops and the frequency is displayed.

If you select NO in this step

The scanning function is cancelled.

- 4** If you decide to use that channel, rotate the jog dial to select SET, and then press the dial.

To search for another frequency

Rotate the jog dial to select CONTINUE, and then press the dial.

Note

If a Sony digital wireless frequency within the group is not found by the second try, scanning is cancelled.

Using the Clear Channel Scan Function

This function searches for a channel that is not being used by another wireless device or by a TV station. This function makes it easy to find an available channel to allow the wireless microphone to be used without interference. The function searches for empty channels among the registered channels within the channel group selected by the GP/CH selection function, and lists the detected channels in the order with less interference.

- 1** Press the RECEIVER button to select the RECEIVER menu.
- 2** Rotate the jog dial to move the cursor to CLEAR CH SCAN indication, and then press the dial.
A message "START SCAN?" appears.

- 3** Rotate the jog dial to select YES, and then press the dial.

Scanning starts. Empty channels within the specified channel group (GP) are searched. When scanning finishes, detected empty channels are listed in the order with less interference.

- 4** Rotate the jog dial to select the channel that you want to use, and then press the dial.

When the Cross Remote (see page 27) is operating:

When the jog dial is pressed in Step 4 above, a message confirming to apply the selected channel to the transmitter that is paired with the DWR-R02DN appears.

When you rotate the jog dial and select OK and press the dial, the selected channel is applied to the transmitter.

Notes

- If an empty channel within the group is not found by the second try, scanning is cancelled.
- If the receiving channel (CH) configured on the receiver is a channel for which use with the wireless remote control function is restricted on the transmitter side, the UNMATCH screen appears.

In such cases, change the receiving channel on the receiver. If you want to use the restricted channel, set REMOTE to OFF in the transmitter's menu to release the channel restriction, and manually configure the transmitter's channel.

Using the Encrypted Transmission Function

This receiver is capable of receiving scrambled signals from Sony digital wireless transmitters. This function prevents hacking of the signal.

To use this function, select one of the following encrypted transmission modes:

Secure key mode: A secure key that is automatically generated by the transmitter is used by both the transmitter and receiver in this one-to-one encrypted transmission method.

Password mode: You choose a password of up to eight characters that can be set for multiple transmitters and receivers. This enables encrypted transmission to be conducted within a group.

Notes

- Make sure the same mode is set on the transmitter and receiver.
- When using an encryption key method, pair the transmitter and receiver.

Using Secure Key Mode (SECURE KEY)

Use this mode for one-to-one encrypted transmission between one transmitter and one receiver.

An encryption key that cannot be read from the outside is automatically generated by the transmitter. This key is transmitted to the receiver through the wireless remote control function (*see page 27*), enabling encrypted transmission to take place.

The encryption key used by the transmitter and receiver is newly generated for each key transmission, resulting in highly secure communication.

The encryption key used between the transmitter and the receiver is saved when the power is turned off, so the encrypted transmission can be resumed the next time the power is turned on.

1 Preparing the transmitter

Set SECURE KEY on the transmitter that will transfer the encryption key.

For details on transmitter operations, refer to the operating instructions supplied with the transmitter.

2 Preparing the receiver (this unit)

- ① In the RECEIVER menu, rotate the jog dial to move the cursor to ENCRYPTION indication, and then press the dial.
- ② Rotate the jog dial to select SECURE KEY, and then press the dial.

3 Exchanging the encryption key

The receiver searches for a transmitter that it has been paired with. After the receiver detects the transmitter, the transmitter exchanges the encryption key with the receiver and encrypted transmission begins.

Note

When the RF REMOTE function (*see page 27*) is off, encryption key exchange cannot be carried out.

Using Password Mode (PASSWORD)

Set this mode when multiple transmitters are paired with multiple receivers for encrypted transmission.

If the transmitters and receivers are set with the same user-designated password, the audio signal can be decoded. This mode is useful when multiple transmitters and receivers are used as a single group, or when the audio signal from one transmitter is received by multiple receivers at the same time.

- 1 In the RECEIVER menu, rotate the jog dial to move the cursor to ENCRYPTION indication, and then press the dial.
- 2 Rotate the jog dial to select PASSWORD, and then press the dial.
- 3 Enter a password of up to 8 characters on the receiver.

Rotate the jog dial to move the cursor to select the character that you want to enter. And then, press the dial to add the selected character to the end of the current password.

To delete the last character in the current password

Rotate the jog dial to select BS, and then press the dial. Note that the adding or deleting a character in the middle of the password cannot be done.

To cancel entering the password

Rotate the jog dial to select CANCEL, and then press the dial.

- 4 After entering the characters, rotate the jog dial to move the cursor to select OK, and then press the dial.
- 5 Set the encrypted transmission function on the transmitter to PASSWORD.
- 6 On the transmitter, set the same password that was set on the receiver.

For details on transmitter operations, refer to the operating instructions supplied with the transmitter.

Note

It is recommended that you change the password periodically.

Setting the Audio Codec Mode

This receiver has three audio codec modes. Switch between them based on your operational needs.

MODE1: This audio codec mode is compatible with the first generation DWX series. When the reception frequency is set to Type B, MODE1 is selected automatically.

MODE2: This audio codec mode reduces the delay time. The delay time becomes 1.5 ms with DWR-R02DN analog output.

MODE3: This audio codec mode prioritizes stable transmission performance. The delay time becomes 4.0 ms with DWR-R02DN analog output.

In MODE2, the delay time becomes 1.5 ms when analog signals are output using this receiver in combination with Digital Wireless Transmitter DWT-B01N (sold separately) and Digital Wireless Microphone DWM-02N (sold separately). The amount of delay increases by approximately 1 ms during digital output because the built-in sampling rate converter operates.

- 1 Press the RECEIVER button to select the RECEIVER menu.
- 2 Rotate the jog dial to move the cursor to the CODEC MODE indication, and then press the dial.
- 3 Rotate the jog dial to move the cursor to the audio codec mode indication that you want to select, and then press the dial.

If there is a transmitter paired with this receiver at that time, the audio codec mode of the transmitter is also switched at the same time.

For details on pairing, see "Pairing With a Transmitter (PAIRING)" on page 27.

Menu Displays and Detailed Settings

Menu Structure and Hierarchy

Menu structure

The receiver has four kinds of menu, as follows:

RECEIVER menu

A menu that includes receiver setting functions.

TRANSMITTER menu

A menu that allows you to check the settings on the transmitter currently in communication with the receiver channel 1/2.

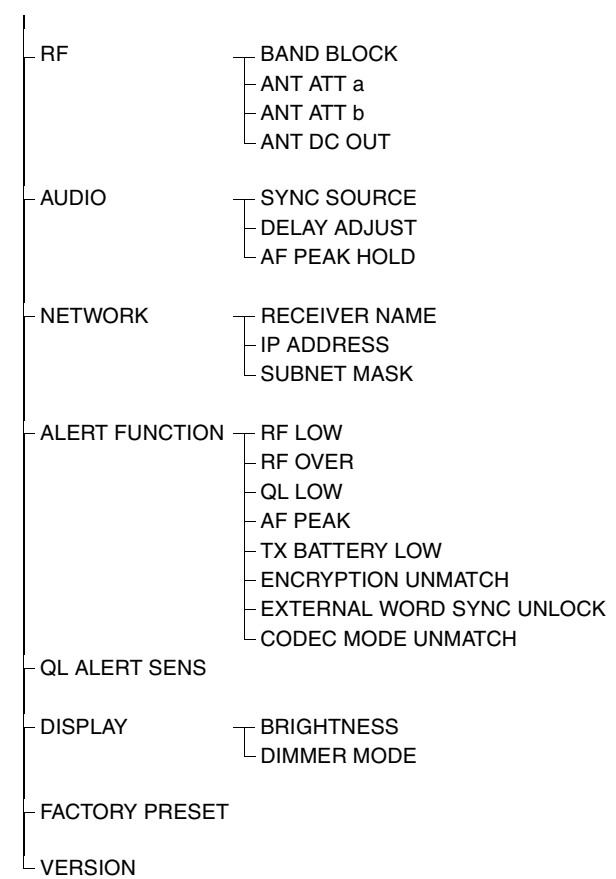
RF REMOTE menu

A menu that allows you to perform pairing and to make the basic setting for the wireless remote control function.

UTILITY menu

A menu that includes meter indications, network settings, and settings for the organic light-emitting diode display. The UTILITY menu settings apply to receiver channel 1 and 2.

UTILITY menu



Menu hierarchy

RECEIVER menu

- BAND
- GP/CH
- ACTIVE CH SCAN
- CLEAR CH SCAN
- ENCRYPTION
- CODEC MODE
- BAL OUT LEVEL
- GROUND LIFT
- AF OUTPUT

TRANSMITTER menu

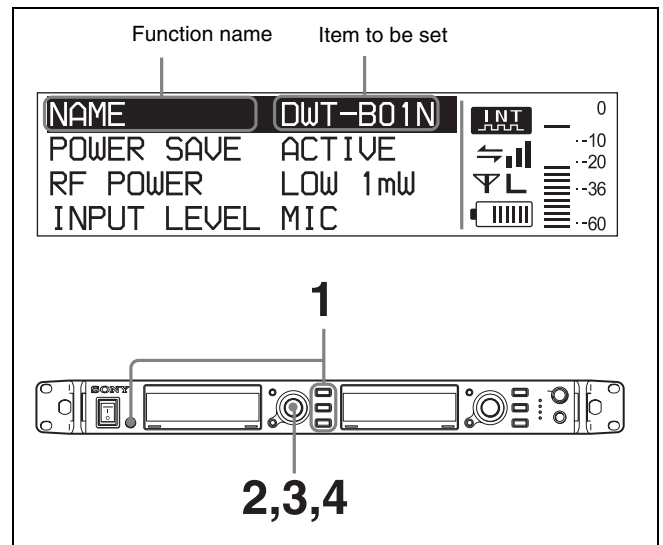
- NAME
- POWER SAVE
- RF POWER
- INPUT LEVEL
- ATT
- LCF
- +48V
- TIME
- INTERNAL SG
- PWR SW LOCK
- PWR SW STATE

RF REMOTE menu

- RF REMOTE
- PAIRING
- MODE

Basic Menu Operations

In the procedure below, the controls for the receiver channel 1 are used for illustration purposes.



- 1** Press one of the menu buttons (RECEIVER, TRANSMITTER, RF REMOTE, or UTILITY button) to select the menu.
- 2** Rotate the jog dial to select the item to be set, and then press the dial.

For details on items contained in each menu, see “Menu Structure and Hierarchy” on page 23.

3 Rotate the jog dial to change the setting.

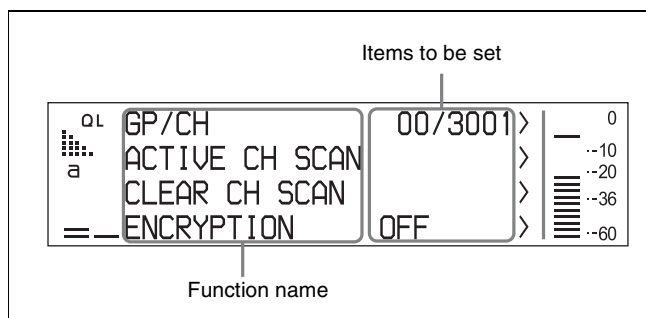
4 Press the jog dial to enter the setting.

RECEIVER Menu

For details on menu operation, see “Basic Menu Operations” on page 23.

Use this menu to set the digital wireless receiver functions (the main functions of this receiver).

The following shows the US model display.



In this section, the functions included in the menu and their parameters are explained.

Underlined items are the factory settings.

Frequency band setting (BAND)

Selects the frequency band that the transmitter uses.

See “Carrier Frequencies and Channel Steps” on page 41 for factory settings.

Group/channel Selection (GP/CH)

Set the group and channel to receive. See “Carrier Frequencies and Channel Steps” on page 41 for factory settings.

For details, see “Selecting the Group/Channel” on page 19.

Active Channel Scanning Function (ACTIVE CH SCAN)

The active channel scan function operates.

For details, see “Using the Active Channel Scan Function” on page 20.

Clear Channel Scan Function (CLEAR CH SCAN)

The clear channel scan function operates.

For details, see “Using the Clear Channel Scan Function” on page 20.

Encrypted Transmission Function (ENCRYPTION)

Set the parameters for the encrypted transmission function.

SECURE KEY: Sets the encryption key method.

PASSWORD: Sets the password method.

OFF: The encrypted transmission function is not used.

For details, see “Using the Encrypted Transmission Function” on page 21.

Setting the Audio Codec Mode (CODEC MODE)

Set the audio codec mode.

If there is a transmitter paired with this receiver, the audio codec mode of the transmitter is also switched at the same time.

MODE1: This audio codec mode is compatible with the first generation DWX series. When the reception frequency is set to Type B, MODE1 is selected automatically.

MODE2: This audio codec mode reduces the delay time. Audio quality is also improved compared with MODE1. We recommend using this mode under normal circumstances.

MODE3: This audio codec mode prioritizes stable transmission performance. Additional signal processing is used to suppress noise and audio interruptions caused by unexpected interference, resulting in more reliable transmission.

Audio delay time when transmitting and receiving

The audio delay time matched on the transmitter side and receiver side for each mode is as follows.

Analog output

MODE1: 3.4 ms

MODE2: 1.5 ms

MODE3: 4.0 ms

Digital output

MODE1: 3.4 ms

MODE2: 2.5 ms

MODE3: 4.9 ms

For details, see “Setting the Audio Codec Mode” on page 22.

Setting Analog Audio Output Level (BAL OUT LEVEL)

Selects analog audio output level for the ANALOG OUT 1/2 connectors.

MIC: Selects the microphone level (reference level: -58 dBu).

LINE: Select the line level (reference level: -12 dBu).

Ground Lift Function (GROUND LIFT)

When LIFT is selected, pin 1 (GROUND) of the XLR connector is lifted from the chassis grounding to prevent hum, buzz, and other noise caused by ground loops.

GROUND: Connects pin 1 (GROUND) of the XLR connector to the chassis grounding.

LIFT: Lifts pin 1 (GROUND) of the XLR connector from the chassis grounding.

Note

Select LIFT only in environments where hum, buzz, and other noise occur. Selecting it may make the unit more susceptible to exogenous noise.

Audio Output Setting (AF OUTPUT)

Control audio output (MUTING/UNMUTING) for the receiver channels. This setting applies to the ANALOG OUT 1/2 connectors, and DIGITAL OUT 1/2/3/4 connectors. This setting does not apply to the audio output for the headphone monitor.

UNMUTING: Disable audio output muting on the receiver channel.

MUTING: Enable audio output muting on the receiver channel. While muting is enabled, the transmitter name display area on the top display alternates between displaying “MUTING” and the transmitter name.

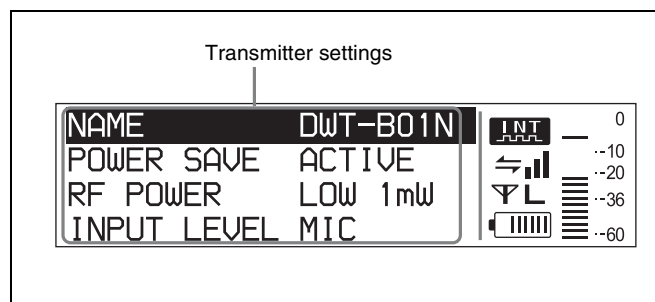
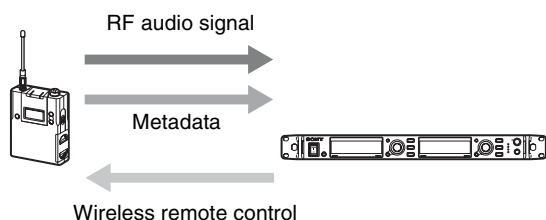
TRANSMITTER (Transmitter Virtual) Menu

You can view the status of the transmitter by using the transmitter virtual menu and displaying metadata received from the transmitter in the display.

For details on menu operation, see “Basic Menu Operations” on page 23.

For details on how to change the setting information of the transmitter, see “Changing the Settings on the Transmitter” on page 31.

The Sony digital wireless transmitter sends not only digital audio signals, but also various other information (metadata) related to transmitter settings.



Note

“NO DATA” appears when the transmitter is turned off or located outside the service area. “NO FUNCTION” appears when the transmitter does not have the metadata transmission function.

In this section, displayed transmitter settings are explained.

Display of the Transmitter Name (NAME)

The name setting of the transmitter is displayed.

Display of the Power Save Setting (POWER SAVE)

The power save setting of the transmitter is displayed.

Display of the Transmission Power Setting (RF POWER)

The transmission power setting of the transmitter from which transmission is currently being received is displayed.

Display of Audio Input Level (INPUT LEVEL)

The audio input level setting of the transmitter from which transmission is currently being received is displayed.

Display of the Attenuator (ATT)

The attenuator setting of the transmitter is displayed.

Display of the Low-cut Filter Setting (LCF)

The low-cut filter setting of the transmitter is displayed.

Display of the +48 V Power Setting (+48V)

The +48 V power setting of the transmitter is displayed.

Display of Accumulated Transmitter Use Time (TIME)

The accumulated use time of the transmitter is displayed.

Display of Internal Signal Generation (INTERNAL SG)

Displays whether the transmitter’s internal signal is being generated.

POWER Switch Lock (PWR SW LOCK)

The POWER switch lock function setting of the transmitter is displayed.

POWER Switch Status (PWR SW STATE)

The POWER switch status of the transmitter is displayed.

RF REMOTE Menu

For details on menu operation, see “Basic Menu Operations” on page 23.

This receiver is equipped with the wireless remote control function that can be used to set the parameters (low-cut filter, attenuation operation, power save mode, etc.) of the transmitter through the TRANSMITTER menu. This function makes it easier to operate and manage the microphone system while in the field.

This wireless remote control is 2.4 GHz IEEE802.15.4 compliant and has no effect on the RF band of digital wireless audio.

This function is activated when pairing is established between the transmitter and the receiver using the RF REMOTE menu.

Note

If the software version is not suitable for use with this receiver, the wireless remote control function may not function. A software update may be necessary to enable proper functioning. For details on software updates, contact your Sony service representative.

For details on transmitter software versions that are compatible with this receiver, see “Transmitter software version” on page 38.

Using the Cross Remote (RF REMOTE)

This function must be set to allow the wireless remote control function to be used between the transmitter and receiver.

OFF: Stops the wireless remote control function.

ON: Starts the wireless remote control function with the previously paired receiver.

Pairing With a Transmitter (PAIRING)

Pairing links the receiver with the transmitter which the wireless remote control function is to be used.

Set pairing configurations as follows:

- 1 In the RF REMOTE menu, rotate the jog dial to select PAIRING, and then press the dial.

A message “START PAIRING?” appears.

- 2 Set the transmitter to be controlled to pairing mode.


For details on how to operate the transmitter, refer to the operating instructions supplied with the transmitter.

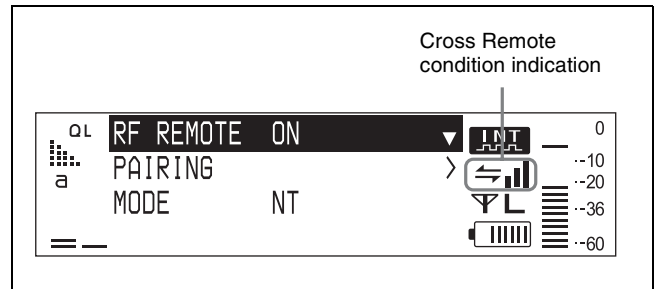
- 3 Rotate the jog dial to select YES, and then press the dial.

The receiver starts searching for transmitters and then displays the names of transmitters with which pairing is possible.

During the search, pressing any operation key on the receiver will cancel pairing mode.

- 4 Rotate the jog dial to select the transmitter to be paired with from among those indicated, and then press the dial to enter the setting.

The receiver starts to communicate with the selected transmitter and the wireless remote control condition appears in the display. The condition level (indicated by ) goes up and the remote control function becomes operative.








Note

If the receiving channel (CH) configured on the receiver is a channel for which use with the wireless remote control function is restricted on the transmitter side, the UNMATCH screen appears.

In such cases, change the receiving channel on the receiver. If you want to use the restricted channel, set REMOTE to OFF in the transmitter’s menu to release the channel restriction, and manually configure the transmitter’s channel.

On Cross Remote condition indication

Indicates the signal transmission condition of the wireless remote control function (four levels).

-  : Good transmission
-  : Somewhat good transmission
-  : Somewhat poor transmission
-  : Poor transmission
-  : Unable to communicate with paired transmitter

When the wireless remote control function (*see page 27*) is off, this indication does not appear.

Using the Cross Remote with a previous pairing

If the wireless remote control condition icon is displayed on the top display of the receiver when the power of the transmitter is ON, use is possible as is.

If the icon is not displayed, check whether the RF REMOTE setting of the transmitter or receiver is set to ON.

Notes

- When you set the wireless remote control function to ON, the transmitter will communicate with the receiver to which it was previously paired. To use the RF REMOTE function with another transmitter, you must perform the pairing procedure again for that transmitter.
- Pairing with multiple transmitters is not possible.
- Even if pairing was performed in an ST remote system, pairing needs to be performed again to use the wireless remote control in an NT remote system.

The following transmitter settings can be performed when pairing is established:

- Group/channel setting
- Transmitter name setting
- Power save setting
- RF transmission power setting
- Audio input level setting
- Attenuator setting
- Low-cut filter setting
- +48V setting
- Resetting accumulated transmitter use time
- Audio codec mode setting
- Internal signal setting
- POWER switch lock setting

For details on the transmitter settings, see “Changing the Settings on the Transmitter” on page 31.

Cancelling the Cross Remote

In the RF REMOTE menu, select RF REMOTE, and then select OFF.

Notes on the Cross Remote

The wireless remote control function on the receiver uses the 2.4 GHz band and may thus be subject to interference from other devices.

- When pairing fails (“Pairing fail” is displayed), carry out pairing again. Successful communication between the transmitter and the receiver has not occurred within a given amount of time. Pairing may be harder to do when another receiver is engaged in pairing nearby.
- When it becomes hard to use the remote control, the remote control may be improved by switching the RF REMOTE function off, then on again, and then re-pairing with the transmitter (change to a channel with less interference).

Displaying the Remote Mode (MODE)

Display whether the receiver is operating in the ST remote or NT remote mode. (The mode can only be displayed.)

NT: The receiver has recognized the RMU-01 unit and is operating in NT remote mode.

ST: The receiver is operating in ST remote mode.

SEARCH: The receiver is searching for the remote mode state.

UTILITY Menu

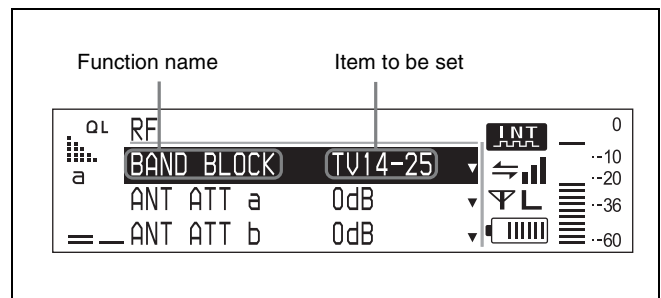
For details on menu operation, see “Basic Menu Operations” on page 23.

The UTILITY menu includes items related to the basic receiver settings, including displays.

In this section, the functions included in the menu and their parameters are explained.

Underlined items are the factory settings.

The following shows the US model display.



Note

All the items in the UTILITY menu can be set by using the controls on the receiver channel 1. The UTILITY menu settings are applied to both receiver channels.

Items Related to Signal Reception (RF submenu)

Band block setting (BAND BLOCK)

Set this to match the supported transmitter frequency bands. See “Carrier Frequencies and Channel Steps” on page 41 for factory settings.

Antenna attenuator setting (ANT ATT a/b)

Sets the attenuator for the antenna input.

This item can be set independently for each of the ANTENNA IN connectors.

0dB/5dB/10dB

Note

When connecting DWR-R02DN units in cascade, set ANT ATT a/b to “0dB” on any DWR-R02DN unit that is not directly connected to the antenna.

DC power supply setting for antennas (ANT DC OUT)

Sets the power supply for the antennas connected to the ANTENNA a/b IN connectors.

This setting applies to both of the ANTENNA IN connectors.

OFF/9V/12V

Note

When connecting DWR-R02DN units in cascade, set ANT DC OUT to “OFF” on any DWR-R02DN unit that is not directly connected to the antenna.

Items Related to Audio (AUDIO submenu)

Sync signal setting (SYNC SOURCE)

Selects the sync signal source for the receiver. The receiver supports an external sync signal (word clock) of 32 kHz to 96 kHz.

The synchronization status is indicated by “INT” or “EXT” in the digital output sync indication on the top display. When “EXT” is indicated and synchronization is unlocked, the indication flashes.

INTERNAL: The internal sync signal (48 kHz) is used.

EXTERNAL: Synchronization with an external word clock signal.

AUTO: The external sync signal is used on a priority basis. When there is no external sync signal input, the internal sync signal is used automatically.

Display and adjustment of audio signal delay times between channels (DELAY ADJUST)

During communications between the digital wireless transmitter and digital wireless receiver, an audio signal delay will occur as a result of audio signal processing on both devices.

Display of audio signal delay times

The DWR-R02DN unit can display the total audio signal delay time of the transmitter and the receiver for each channel using the metadata sent from the transmitter. Refer to this display when adjusting the delay time using a device such as mixer or delay processor.

Display example

1CH D : 2.5ms , A : 1.5ms
2CH D : 2.5ms , A : 1.5ms

D: DIGITAL OUT
A: ANALOG OUT

Compensating delay times for receiver channels 1 and 2

The delay times for receiver channels 1 and 2 may be different when the DWR-R02DN is used with two digital wireless transmitters of differing models. By setting this compensation function to ON in such cases, you can automatically adjust the receiver channel with the shorter audio signal delay time to match the channel with the longer delay.

When adjusting the delay time manually using a device such as mixer or delay processor, set this function to OFF.

AF Peak Level Hold Duration Setting (AF PEAK HOLD)

Set the peak level hold condition for the audio level meter that appears on the top display and other situations.

2SEC: Hold the audio level meter’s peak display for 2 seconds.

HOLD: Hold the audio level meter’s peak display until it is released.

Releasing the peak display

You can release the peak display by pressing the jog dial while the top display is displayed. To release the peak display while AF PEAK HOLD is set to HOLD, display the top display for each channel and press the jog dial.

Items Related to Network (NETWORK submenu)

Naming the receiver (RECEIVER NAME)

Enter a receiver name of up to 16 characters in the same manner described in “Using Password Mode (PASSWORD)” on page 22.

When the receiver is already named, selecting this item displays the receiver name.

IP address setting (IP ADDRESS)

Enter the IP address of the receiver.

Subnet mask setting (SUBNET MASK)

Enter the subnet mask for the receiver.

Note

IP addresses and subnet masks

- If you are not using a standard network line connection, configure the following private address. Configure values that are unique within the network for the “*” values.
IP Address: 192.168.0.*
Subnet Mask: 255.255.255.0 (fixed length)
- If you are using a standard line connection, consult your network administrator.
- If IP address settings are changed, pairings with NT remote systems will be disabled. Be sure to perform the pairings again.

Items Related to Alerts (ALERT FUNCTION submenu)

Low signal input level (RF LOW)

Specifies whether to display a warning via the ALERT indicator when the signal input level detected is low.

ON/OFF

Excess signal input level (RF OVER)

Specifies whether to display a warning via the ALERT indicator when the signal input level detected is excessive.

ON/OFF

Low receiving signal quality (QL LOW)

Specifies whether to display a warning via the ALERT indicator when the quality of the received signal is low.

ON/OFF

Note

Specifies the level at which the quality of the received signal is detected as low.

For details, see “Sensitivity Setting for Received Signal Quality Alert (QL ALERT SENS)” on page 30.

Excess peak level for audio input (AF PEAK)

Specifies whether to display a warning via the ALERT indicator when the audio input has been detected as exceeding the peak level.

ON/OFF

Low transmitter battery (TX BATTERY LOW)

Specifies whether to display a warning via the ALERT indicator when the remaining battery of the transmitter is detected as low.

ON/OFF

Encryption mismatch (ENCRYPTION UNMATCH)

Specifies whether to display a warning via the ALERT indicator when a mismatch between the encrypted communication settings for the transmitter and the receiver is detected.

ON/OFF

Unsynchronized with external sync signal (EXTERNAL WORD SYNC UNLOCK)

Specifies whether to display a warning via the ALERT indicator when synchronization with the external sync signal (word clock) is not possible.

ON/OFF

Audio codec mode mismatch (CODEC MODE UNMATCH)

Specifies whether to display a warning via the ALERT indicator when an audio codec mode mismatch is detected between the transmitter and receiver.

ON/OFF

Sensitivity Setting for Received Signal Quality Alert (QL ALERT SENS)

Specifies the level at which the quality of the received signal is determined to be low.

HIGH: The quality is determined to be low when the QL meter displays 4 bars or less.

MID: The quality is determined to be low when the QL meter displays 2 bars or less.

LOW: The quality is determined to be low when the QL meter displays 1 bar or less.

Note

If QL LOW is set to OFF in the ALERT FUNCTION submenu, the ALERT indicator will not light even is the quality of the received signal is low.

For details, see “Low receiving signal quality (QL LOW)” on page 30.

Items Related to Display (DISPLAY submenu)

Setting the brightness of the display (BRIGHTNESS)

Ten levels of brightness can be selected for the organic light-emitting diode display.

The selectable settings are the following:

(Dark) **1 2 3 4 5 6 7 8 9 10** (Bright)

Automatic dimming of the display (DIMMER MODE)

The organic light-emitting diode display can be set to dim or turn off after a certain amount of time.

AUTO OFF: The display turns off after 30 seconds. The display goes on again when you use any button/control.

AUTO DIMMER: The display dims after 30 seconds. The display becomes bright again when you use any button/control.

ALWAYS ON: The display stays on at the brightness level set with the BRIGHTNESS function.

Resetting Parameters to Their Factory Settings (FACTORY PRESET)

All parameter settings can be returned to their factory settings.

A message appears asking for confirmation. Rotate the jog dial to select YES.

The receiver parameters are reset to their factory settings.

Displaying the Software Version (VERSION)

The version of receiver software can be displayed.

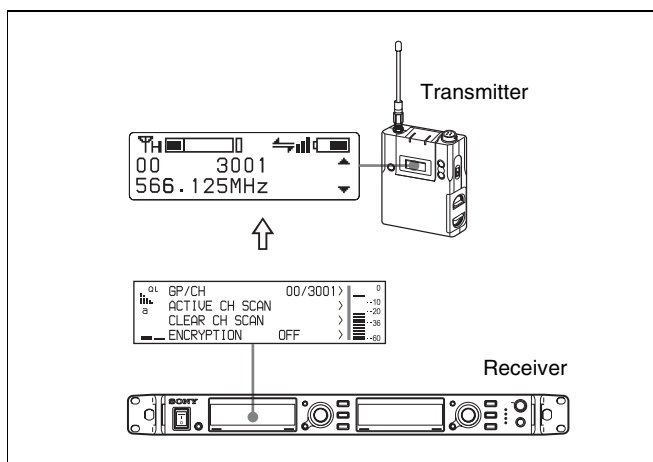
Changing the Settings on the Transmitter

For details on menu operation, see “Basic Menu Operations” on page 23.

You can change the settings on the transmitter that is paired with this receiver using the GP/CH indication (see page 24) of the RECEIVER menu or TRANSMITTER menu (see page 26).

Before changing the settings, be sure to set pairing configurations in the RF REMOTE menu and enable the wireless remote control function by setting RF REMOTE to ON.

The following shows the US model display.



Frequency band setting (BAND)

Set this setting in the BAND screen of the RECEIVER menu.

For details, see “Selecting the Frequency Band” on page 19.

Group/channel Setting (GP/CH)

Only this setting is set through the GP/CH indication of the RECEIVER menu.

For details, see “Selecting the Group/Channel” on page 19.

Transmitter Name Setting (NAME)

Sets the name of the transmitter.

Power-saving Setting (POWER SAVE)

To conserve power, this setting allows you to change the transmitter to sleep mode using the wireless remote control function.

Note

When the setting of the transmitter is changed to sleep mode, the signal for audio transmission is stopped and the metadata is also no longer transmitted. For this reason, “NO DATA” appears for all items in the TRANSMITTER menu, except for “SLEEP” in the POWER SAVE indication.

Transmission Power Setting (RF POWER)

You can change the transmission power of the transmitter.

Audio Input Level Setting (INPUT LEVEL)

Allows you to change the transmitter’s audio input level setting.

Note

This function may not be supported by some transmitters.

Attenuator Setting (ATT)

Change the attenuator value when the audio input level setting of the transmitter is set to MIC.

Note

The attenuator values that can be selected depend on the transmitter function.

Low-cut Filter Setting (LCF)

The low-cut filter setting of the transmitter can be changed.

Note

The frequency selection depends on the transmitter function.

+48 V Power Setting (+48V)

The +48 V power on the transmitter can be turned on or off.

Note

This function may not be supported depending on the transmitter.

Resetting Accumulated Transmitter Use Time (TIME)

The accumulated use time of the transmitter can be reset.

Audio codec mode setting (CODEC MODE)

Set the audio codec mode.

Note

This function may not be supported depending on the transmitter.

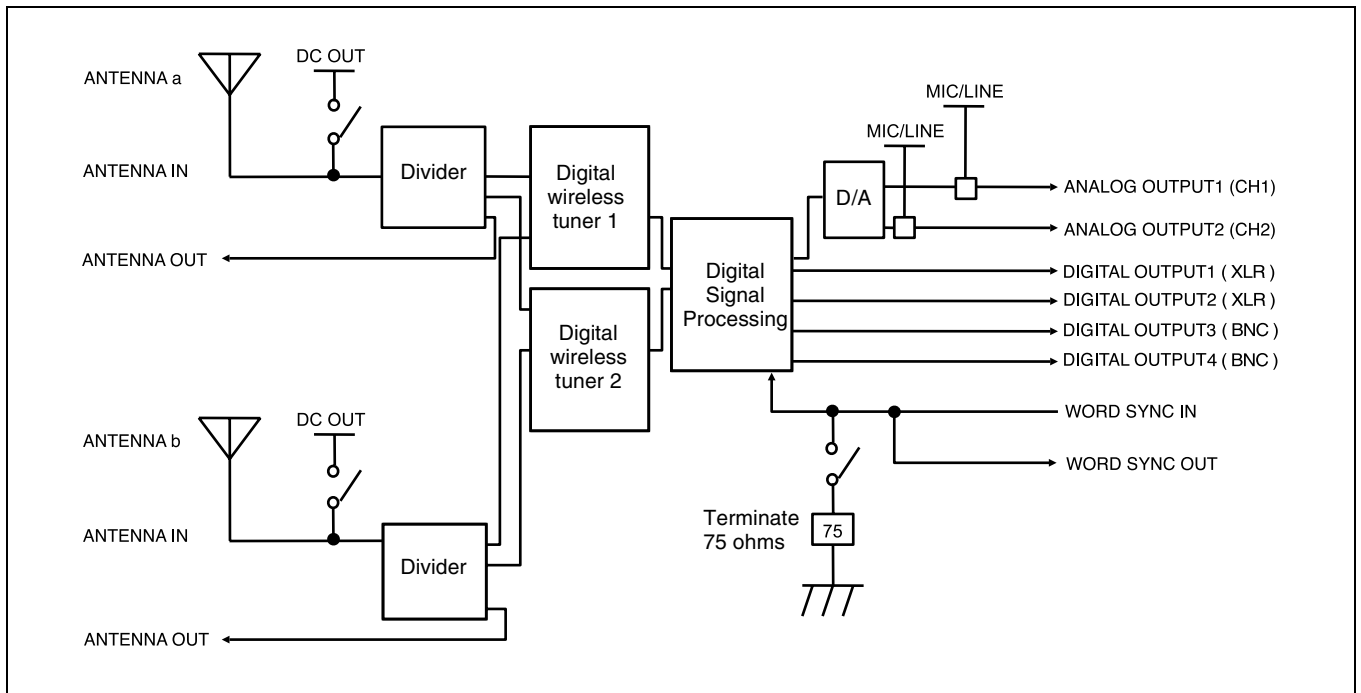
Internal Signal Setting (INTERNAL SG)

Specifies whether to generate the transmitter's internal signal.

POWER Switch Lock Setting (PWR SW LOCK)

Specifies whether to lock the transmitter's POWER switch.

Block Diagram



When the Alert Indicator Lights

Indication of Other Indicators	Cause of Alert	Remedy
The AF/PEAK indicator is lit in red.	The audio input of the transmitter has exceeded the peak level.	Change the audio input attenuator of the transmitter so that the input level does not exceed the peak. The wireless remote function can be used to change the setting from the receiver (see page 27).
The battery indication is flashing.	The batteries of the transmitter will run out of power soon.	Replace the batteries of the transmitter.
The number of lit indications of the QL meter has reduced.	The signal input level of the antenna has become low or the quality of the reception signal has become low because of interfering radio waves (interference).	<p>(1) If the RF indicator is lit in red or off, the signal input to the antenna may be insufficient.</p> <ul style="list-style-type: none"> • Check the transmission power setting of the transmitter. • Check the receiving antenna, each device between the receiver, cable connections, and settings. • Reduce the distance between which the transmitter and receiving antenna are used. <p>(2) If the number of lit indications of the QL meter has reduced even though the RF indicator is lit green, there may be interference.</p> <ul style="list-style-type: none"> • Check whether there is a problem with the operation channel plan. • Check whether another external signal is in use. <p>(3) You can change the criteria for lighting the ALERT indicator by specifying the level at which the quality of the received signal is determined to be low (see page 30).</p>
The RF indicator is lit in orange.	The signal input level of the antenna is 80 dB μ or higher.	Multi-channel synchronous operation may be affected. Try one of the following. <ul style="list-style-type: none"> • Try using the transmitter located away from the antenna. • Increase the ANT ATT a/b setting value of the receiver. If the ANT ATT a/b setting value is increased, be sure to also check the transmission distance limit between the transmitter and receiver.
The RF indicator is lit in red or off.	The signal input level of the antenna is barely enough for reception or reception is not possible.	<ul style="list-style-type: none"> • Check the transmission power setting of the transmitter. • Check the receiving antenna, each device between the receiver, cable connections, and settings. • Reduce the distance between which the transmitter and receiving antenna are used.
The key icon is flashing on the audio input level meter.	The encrypted transmission settings on the transmitter and receiver do not match.	Set the encrypted transmission settings on the transmitter and receiver so that they match (see page 21).
“EXT” flashes on the digital output sync indication.	The output signal from the DIGITAL OUT connector is not synchronized to the external synchronization word clock.	<ul style="list-style-type: none"> • Check whether the synchronization signal input is connected properly. • Check whether the synchronization signal conforms to the specifications of the receiver.
CODEC MODE UNMATCH is displayed.	The audio codec mode of the transmitter and this receiver do not match.	Set the same the audio codec mode setting on the transmitter and this receiver.

Error Messages

Message	Meaning
PLL UNLOCK	PLL is unlocked.
FAN STOP	Cooling fan does not work.
PHONES OVER CURRENT	Audio output from the PHONES terminal exceeds the maximum allowable current, or the terminal has short-circuited.
ANTENNA OVER CURRENT	DC outputs from the ANTENNA IN connectors exceed the maximum allowable current, or the connectors have short-circuited.
CPU EEP ROM NG	The data of the CPU EEP ROM is not correct.
RF EEP ROM NG	The data of the RF EEP ROM is not correct.

Troubleshooting

If you encounter a problem using this receiver, use the following checklist to find a solution. For any problems with the transmitter or adapter, refer to the operating instructions supplied with the respective device. If the problem persists, consult your Sony dealer.

Symptom	Meanings	Remedy
There is no sound.	The channel setting on the transmitter is different from that on the receiver.	Use the same channel setting on both the transmitter and receiver.
	The transmitter is turned off.	Check the power supply or battery of the transmitter.
	The setting of the encrypted transmission function on the receiver is different from that on the transmitter.	Confirm that the setting of the encrypted transmission function is the same on both the transmitter and the receiver.
	The input/output status of sync signals for the WORD SYNC IN/OUT connectors do not match the 75 Ω termination switch setting.	See "Connection Example of Word Clock and Audio" on page 16, and check the connections and the 75 Ω termination switch settings.
	The audio codec mode settings on the receiver and transmitter do not match.	Configure the same audio codec mode setting for both the receiver and transmitter.
The sound is weak.	The attenuation level on the transmitter is too high.	Set the attenuator on the transmitter to an appropriate level.
There is distortion in the sound.	The attenuation level of the transmitter is zero or too low.	The input level of the transmitter is extremely high. Adjust the attenuation level on the transmitter so that there is no distortion to the sound.
	A LINE level signal is being input while the input level of the transmitter set to MIC.	Refer to the Operating Instructions supplied with the transmitter and set the input level to LINE.
There is sound interruption or noise.	The RF indicator lights up even when the transmitter is turned off.	Jamming radio waves are being received. Set the channel whose RF indicator on the receiver does not light up, and then set that same channel on the transmitter. When two or more transmitters are being used, change to another channel group that is unaffected by jamming radio waves. When doing this, the clear channel scan function is useful (see page 20).
	Two or more transmitters are set to the same channel.	It is not possible to use two or more transmitters that are set to the same channel. Refer to the Sony digital wireless frequency lists included in the supplied CD-ROM "Digital Wireless Receiver" and reset the transmitter channel.
	The channel is not set within the same channel group.	The channel plan of the receiver use is set so that no signal interference occurs when two or more transmitters are used simultaneously. Set each transmitter to a different channel within the same channel group.
Wireless remote control is not possible.	Pairing has not been established between the transmitter and receiver.	Carry out pairing (see page 27).
	The receiver is too far from the transmitter for communication to occur.	Check the wireless remote control condition indication (see page 7). If it is low, decrease the distance between the transmitter and the receiver.
	The transmitter that was paired with the receiver has been paired with another receiver.	Carry out pairing again with the transmitter that you want to control (see page 27).
	The software version of the transmitter is not suitable for use with this receiver.	Refer to the transmitter software compatibility table, and confirm whether the software version of the transmitter is suitable for use with this receiver (see page 38). If it is not suitable, software update is necessary. Contact your Sony service representative.
The display is too dark.	The display brightness is set to low.	Adjust the brightness of the display (see page 30).

Symptom	Meanings	Remedy
The power does not turn off even when the POWER switch is set to the ○ position.	A DC power supply is being input.	Turn off the external power supply connected to the DC IN connector, or disconnect the connected cable.
Noise occurs in the audio for ANALOG OUT.	LIFT is selected for the GROUND LIFT setting.	Selecting the GROUND setting may resolve the problem.
The unit is not recognized by Wireless Studio.	You are using a version of Wireless Studio that does not support this unit.	Update Wireless Studio to the version included on the supplied CD-ROM.

Important Notes on Operation

Notes on Using the Receiver

- The digital wireless microphone system product must be used within a temperature range of 0 °C to 50 °C (32 °F to 122 °F).
- Operating the receiver near electrical equipment (motors, transformers, or dimmers) may cause it to be affected by electromagnetic induction. Keep the receiver as far from such equipment as possible.
- The presence of the lighting equipment may produce electrical interference over the entire frequency range. Position the receiver so that interference is minimized.
- To avoid degradation of the signal-to-noise ratio, do not use the receiver in noisy places or in locations subject to vibration, such as the following:
 - near electrical equipment, such as motors, transformers or dimmers
 - near air conditioning equipment or places subject to direct air flow from an air conditioner
 - near public address loudspeakers
 - where adjacent equipment might knock against the tuner

Keep the receiver as far from such equipment as possible or use buffering material.

On cleaning

- If the receiver is used in a very humid or dusty place or in a place subject to an active gas, clean its surface as well as the connectors with a dry, soft cloth soon after use. Lengthy use of the receiver in such places or not cleaning it after its use in such places may shorten its life.
- Clean the surface and the connectors of the receiver with a dry, soft cloth. Never use thinner, benzene, alcohol or any other chemicals, since these may mar the finish.

Transmitter software version

If the software version is not suitable for use with this receiver, the wireless remote control and encrypted transmission functions may not function. Refer to the following tables for transmitter software versions that are compatible with this receiver. A software update may be necessary to enable proper functioning. For details on software updates, contact your Sony service representative.

For details on confirming the software version, refer to the operating instructions for each transmitter.

Transmitter Model No.: U3040, U4250

Model name	Software version
DWM-01	Ver 1.12 or later
DWT-B01/DWT-P01 (Serial No. 10999 or below)	Ver 1.22 or later
DWT-B01 (Serial No. 11001 or above)	Ver 2.13 or later
DWT-P01 (Serial No. 11001 or above)	Ver 2.12 or later

Transmitter Model No.: Other

Model name	Software version
DWM-01	Ver 1.12 or later
DWT-B01	Ver 2.13 or later
DWT-P01	Ver 2.12 or later

Audio degradation due to weak reception

In a digital wireless system, sound quality is maintained up to the maximum transmission range. Beyond this point, as the radio wave becomes weaker, data synchronization is lost and the connection finally breaks. Sony digital wireless systems suppress the occurrence of large noise between these two points as the signal weakens. As a result, digital processing is conducted in a way that allows the signal to degrade in a very natural way.

To prevent electromagnetic interference from portable communication devices

The use of portable telephones and other communication devices near the DWR-R02DN may result in malfunction and interference with audio signals. It is recommended that portable communication devices near the DWR-R02DN be turned off.

Specifications

Receiving Section

Receiver Type	Rackmount (2 channels)
Transmission Method	WiDIF-HP (x2)
Reception Type	True diversity
Circuit System	Double superheterodyne
Local Oscillators Type	Crystal-controlled PLL synthesizer
Antenna Type	Detachable
RF Sensitivity	20 dB μ or less (at bit error rate = 1×10^{-5} , no decline in S/N ratio)

Antenna Section

Input Connector	BNC-R, 50 Ω (x2)
Supply Voltage for Booster	0 V/9 V/12 V
Attenuator	0 dB/5 dB/10 dB
Cascaded Output	BNC-R, 50 Ω (x2)

Audio section

Dynamic Range	106 dB or more (A-weighted)
Distortion (T.H.D)	MODE1, MODE2: 0.03% or less MODE3: 0.3% or less
Audio Delay	MODE1: 1.9 ms (analog output), 1.9 ms (digital output) MODE2: 0.5 ms (analog output), 1.5 ms (digital output) MODE3: 1.9 ms (analog output), 2.8 ms (digital output)
Analog Output	XLR-3-32 (male), 47 Ω or less (x2) Output level (0 dBu = 0.775 Vrms) -22 dBu maximum/-58 dBu reference (when MIC output) +24 dBu maximum/-12 dBu reference (when LINE output)
Digital Output	XLR-3-32 (male), 110 Ω (x2) BNC-R, 75 Ω (x2) Reference output level -36 dBFs
Headphone Output	ϕ 6.3 mm ($1/4$ inch) stereo jack

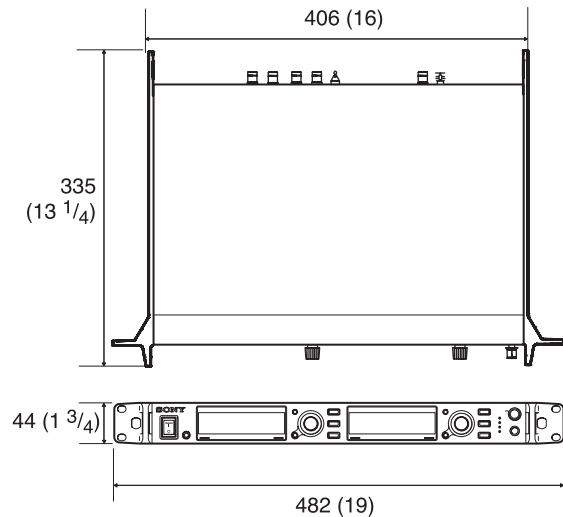
Other Equipment

Word Sync	Input connector: BNC-R with a 75 Ω termination switch Output connector: BNC-R External Word Sync: 32 kHz to 96 kHz
-----------	---

Wireless Remote Control	Cross Remote (2.4-GHz IEEE802.15.4 compliant)
LAN Connector	RJ-45 modular jack 100BASE-TX: IEEE802.3u compliant 10BASE-T: IEEE802.3 compliant
Display	OLED

General

Power Requirements	AC: 100 to 240 V 0.4 A or less DC: 12 V 1.6 A or less
Power Consumption	AC: 23 W DC: 19.2 W
Operating Temperature	0 $^{\circ}$ C to 50 $^{\circ}$ C (32 $^{\circ}$ F to 122 $^{\circ}$ F)
Storage/Transport Temperature	-20 $^{\circ}$ C to +60 $^{\circ}$ C (-4 $^{\circ}$ F to +140 $^{\circ}$ F)
Dimensions (unit: mm (inches))*	



* The values for dimensions are approximate.

Mass	Approx. 3.6 kg (7 lb 15 oz) (including the attached antenna)
Supplied Accessories	Whip antenna (2) AC power cord (1) Foot (4) Before Using this Unit (3) Operating Instructions (CD-ROM) (1) PC control software (CD-ROM) (1) Warranty card (US models only) (1)

Design and specifications are subject to change without notice.

Notes

- Always verify that the unit is operating properly before use. SONY WILL NOT BE LIABLE FOR DAMAGES OF ANY KIND INCLUDING, BUT NOT LIMITED TO, COMPENSATION OR REIMBURSEMENT ON ACCOUNT OF THE LOSS OF PRESENT OR PROSPECTIVE PROFITS DUE TO FAILURE OF THIS UNIT, EITHER DURING THE WARRANTY PERIOD OR AFTER EXPIRATION OF THE WARRANTY, OR FOR ANY OTHER REASON WHATSOEVER.
- SONY WILL NOT BE LIABLE FOR CLAIMS OF ANY KIND MADE BY USERS OF THIS UNIT OR MADE BY THIRD PARTIES.
- SONY WILL NOT BE LIABLE FOR THE TERMINATION OR DISCONTINUATION OF ANY SERVICES RELATED TO THIS UNIT THAT MAY RESULT DUE TO CIRCUMSTANCES OF ANY KIND.

Carrier Frequencies and Channel Steps

Underlined items are the factory setting.

US models

Channel step: 25 kHz

Model No.	BAND BLOCK	Frequency band	Frequency	Group/channel (factory setting)
W	<u>TV14-25</u>	TV14-17	470.125-493.875MHz	<u>00 1801 494.125MHz</u>
		<u>TV18-21</u>	494.125-517.875MHz	
		TV22-25	518.125-541.875MHz	
	TV30-41	TV30-33	566.125-589.875MHz	
		TV34-36	590.125-607.875MHz	
		TV37	Not available	
		TV38-41	614.125-637.875MHz	
	TV42-51	TV42-45	638.125-661.875MHz	
		TV46-49	662.125-685.875MHz	
		TV50-51	686.125-697.875MHz	

European models

Channel step: 25 kHz

Model No.	BAND BLOCK	Frequency band	Frequency	Group/channel (factory setting)
W	<u>TV21-29</u>	<u>TV21-23</u>	470.025-494.000MHz	<u>00 2101 470.125MHz</u>
		TV24-26	494.025-518.000MHz	
		TV27-29	518.025-542.000MHz	
	TV33-40	TV33-35	566.025-590.000MHz	
		TV36-37	590.025-606.000MHz	
		TV38-40	606.025-630.000MHz	
	TV42-50	TV42-44	638.025-662.000MHz	
		TV45-47	662.025-686.000MHz	
		TV48-50	686.025-710.000MHz	

<http://www.sony.net/>

Sony Corporation