

The TC-631M is a highly intelligible, general-purpose speaker suited to public address announcement applications. Its external speaker component finished with powder coating, and stainless steel screws ensure the unit's weatherproof capability.

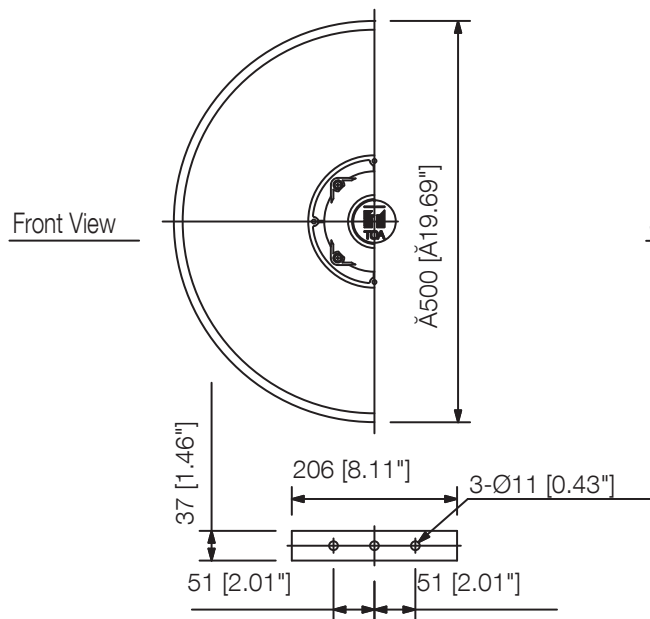
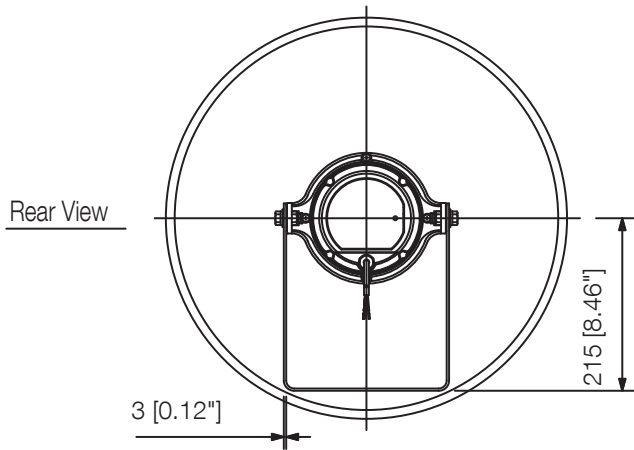


Article number TC-631M

Specifications

Dimensions (W x H x D)	x 463
Dimensions (ø x D)	500 x 463 mm
Finish	Aluminium, powder coating, traffic white (RAL 9016 or equivalent),
Operating temperature	-20°C to +60°C

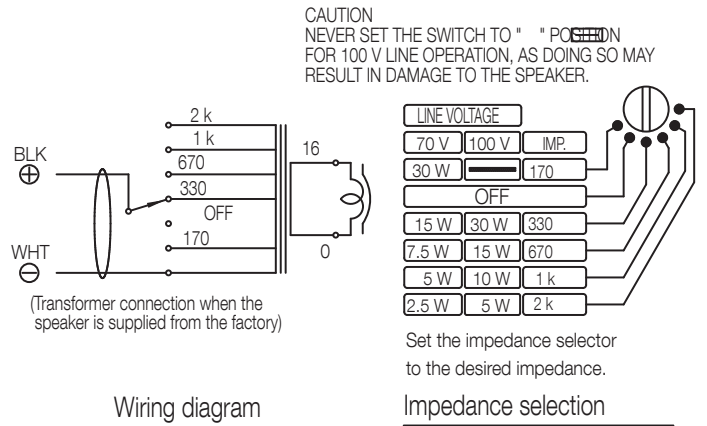
Appearance



Bracket dimensional diagram

UNIT:mm

SCALE:1/10



Side View

